

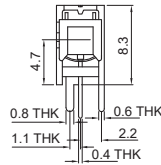
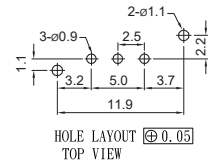
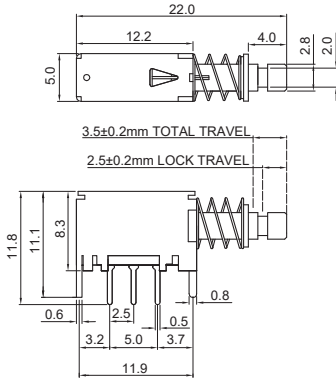
### SPECIFICATIONS

RATING: 0.3A 50V DC  
 Contact Resistance: 30mΩ  
 Insulation Resistance: 100V DC 1Min 100mΩ  
 Withstand Voltage: AC 500V 1Min 0.5mA 1 Min

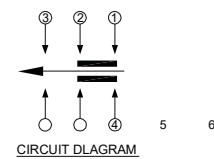
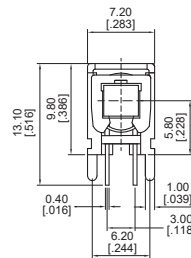
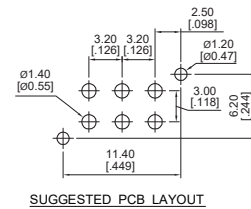
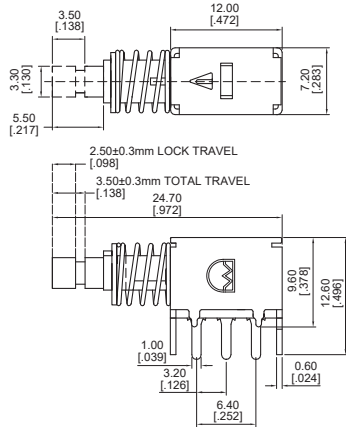
Operating Force: 160gf±100gf  
 Life Test: 10,000 Cycle 15~18 Cycle/Min



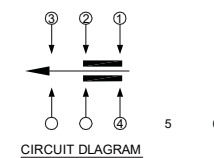
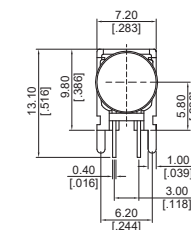
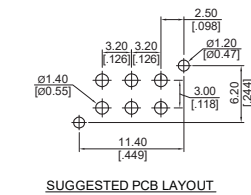
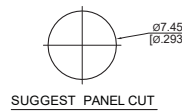
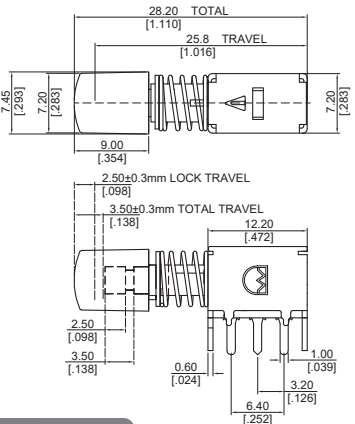
WAPM-1PLB



WAPM-2PLBY

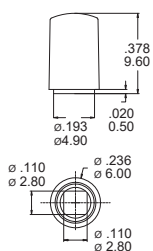


WAPM-2PLBY-R759B

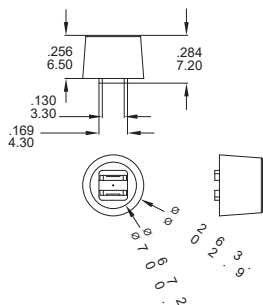


### CAP OPTIONS

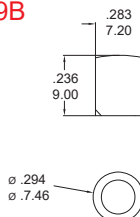
R69B



R837B



R759B



R88B

