



SPECIFICATIONS

RATING : 1A at 24VDC, PULSE MODE
OPERATING LIFE : 50MILLION CYCLE MIN.
CONTACT RESISTANCE : 1Ω MAX.
OPERATING TEMPERATURE: -40°C to 85°C.

MATERIALS

BUSHING: Aluminum alloy.
SEALING : Sillicone,EPOXY.
HEX NUT : Nickel plated brass.

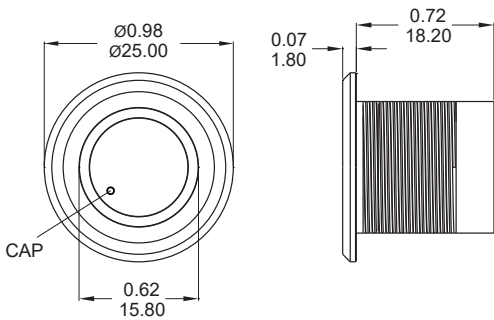


HOW TO ORDER

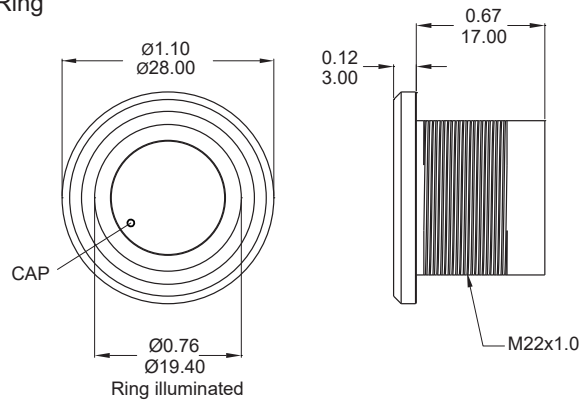
MODEL NO.	BUSHING	CONTACT CONFIGURATION	RATING	BODY TYPE	BUTTON TYPE	LIGHT TYPE	CAP MARKING	LED COLOR	WIRE
TAZP		<u>N</u>	<u>B4</u>	<u>F1</u>	<u>M</u>	<u>E</u>	<u>00</u>	<u>3C</u>	
	Bushing 19 19mm 22 22mm	Contact Configuration N Momentary/Pulse	Rating B4 24VADC / 1A	Body type F1 Al alloy,Double flated (Natural anodized)	Button type M F	Light type E Illuminated ring	Cap marking 00 No	LED Color 3C RGB	Wire D101 26AWG 150mm+2.54 Connector D102 26AWG 300mm+2.54 Connector

LIGHT TYPE

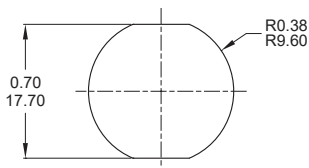
E Ring



E Ring

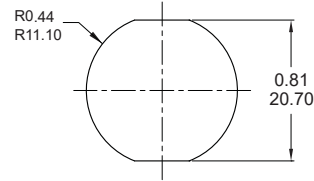


PANEL CUTOUT



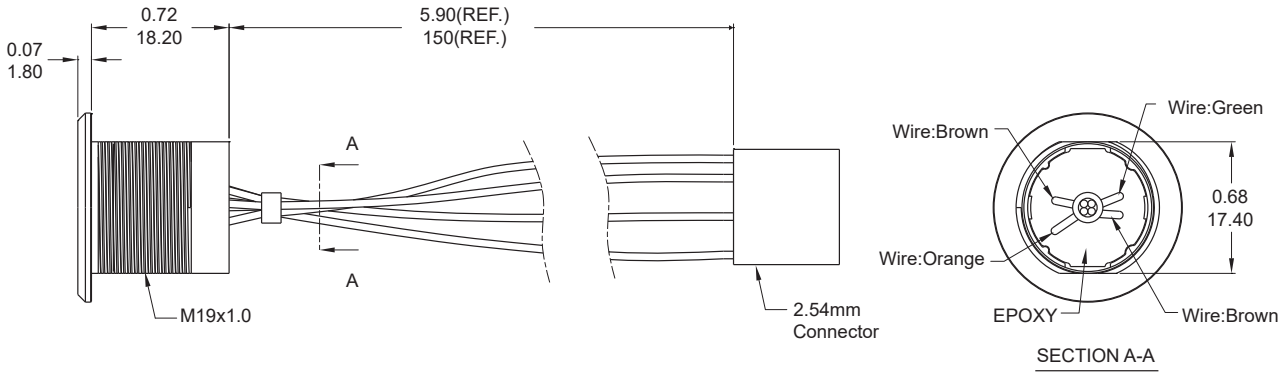
MAX.PANEL THICKNESS:10.0mm[0.394]

PANEL CUTOUT



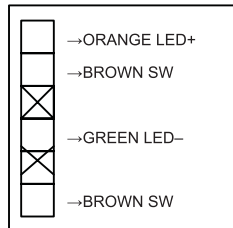
MAX.PANEL THICKNESS:10.0mm[0.394]

WIRE



Part No. Shown : TAZP19N-B4-F1ME00-3C-D101

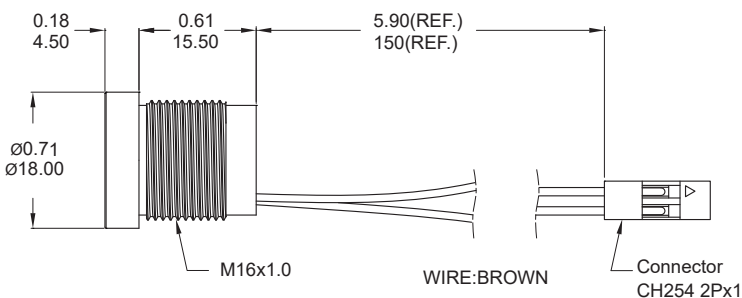
Pin Assigment



HOW TO ORDER

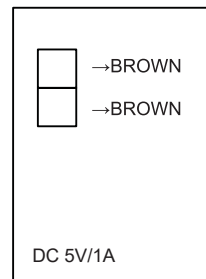
MODEL NO.	BUSHING	CONTACT CONFIGURATION	RATING	BODY TYPE	BUTTON TYPE	LIGHT TYPE	CAP MARKING	LED COLOR	WIRE
TAZP	16	N	B4	F1	M	E	00	00	
Bushing 16 16mm(STD)	Contact Configuration N Momentary/Pulse	Rating B4 24VADC / 1A	Body type F1 Al alloy, Double flated (Natural anodized)	Button type H High flat	Light type E Illuminated ring	Cap marking 00 No	LED Color 00 Without LED	Wire D101 26AWG 150mm +2.54 Connector D102 26AWG 300mm +2.54 Connector	

WIRE



Part No. Shown : TAZP16N-B4-F1ME00-00-D101

Pin Assigment



PANEL CUTOUT

MAX. PANEL THICKNESS:
8.0mm[0.315](Max.)

