

SPECIFICATIONS

RATING : 1A at 5-24VDC

OPERATING LIFE : 50MILLION CYCLE MIN.

CONTACT RESISTANCE : 1Ω MAX.

OPERATING TEMPERATURE: -40°C to 85°C.

MATERIALS

BUSHING: Aluminum alloy.

CAP : PC ; Aluminum alloy.

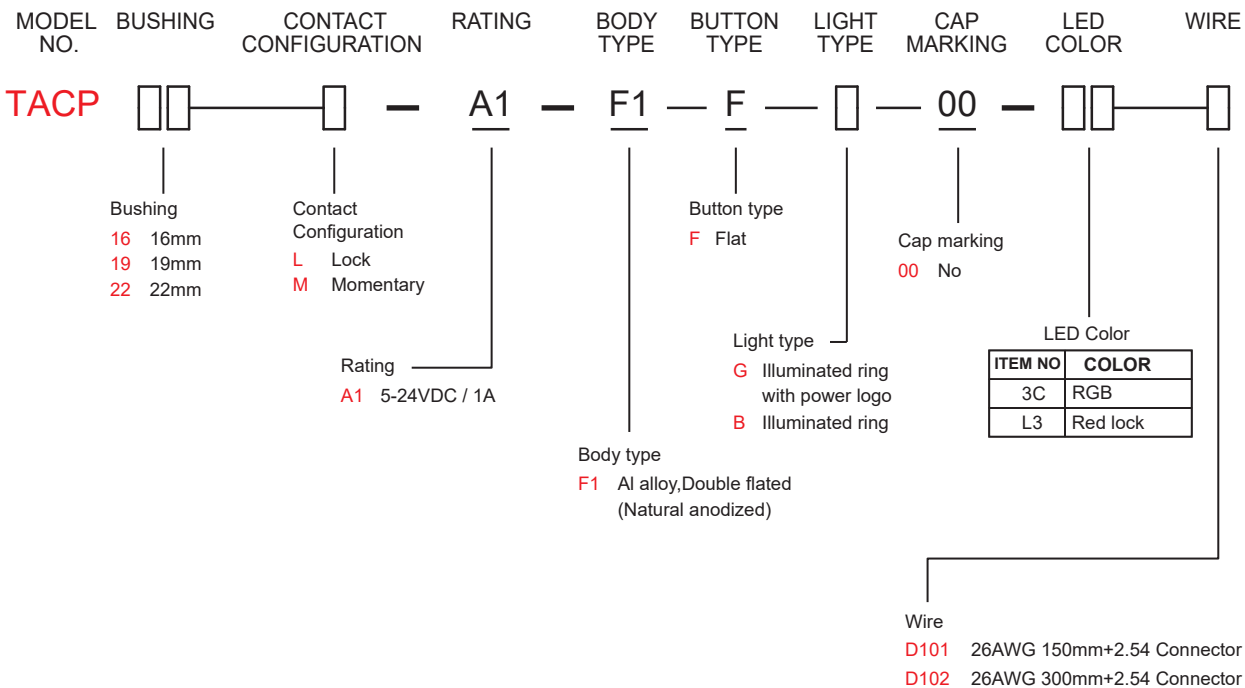
SEALING : Sillicone,EPOXY.

O-RING: Sillicone.

HEX NUT : Nickel plated brass.



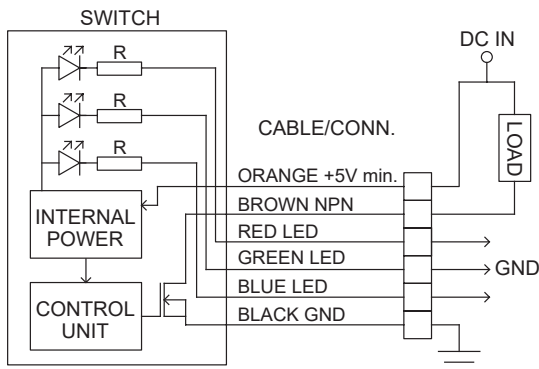
HOW TO ORDER



CIRCUIT

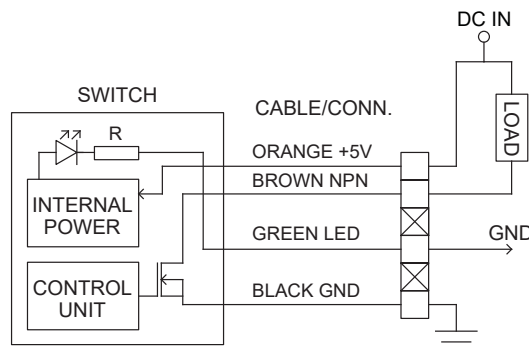
RGB Color LED

Application diagram



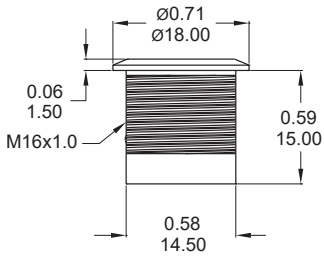
L3 Color LED

Application diagram

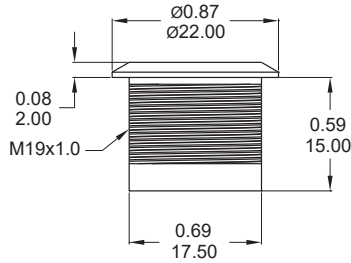


BUSHING

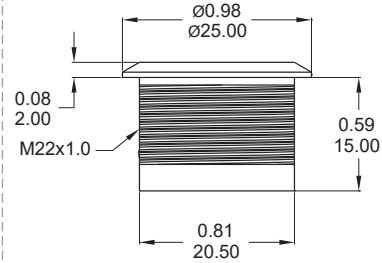
16mm



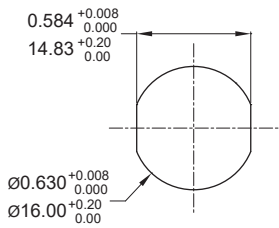
19mm



22mm

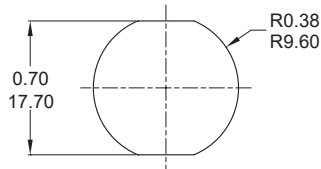


PANEL CUTOUT



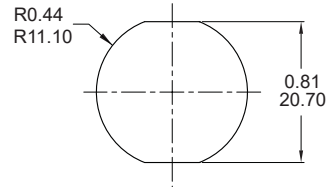
MAX. PANEL THICKNESS: 0.8mm [0.315] (Max.)

PANEL CUTOUT



MAX. PANEL THICKNESS: 10.0mm [0.394]

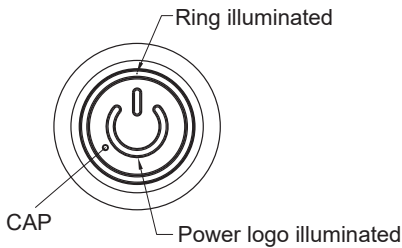
PANEL CUTOUT



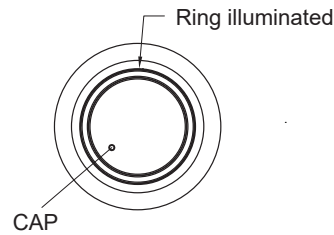
MAX. PANEL THICKNESS: 10.0mm [0.394]

LIGHT TYPE

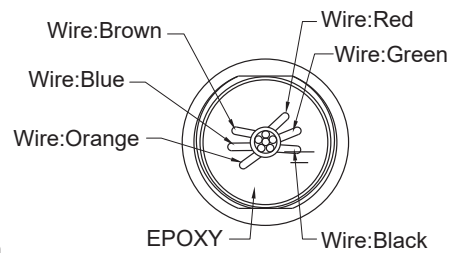
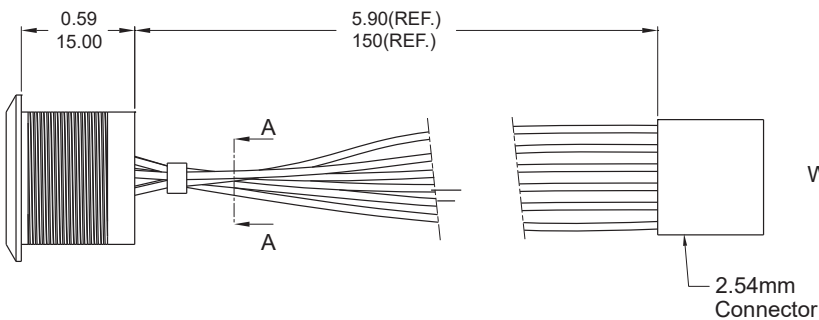
G Power logo+Ring



B Ring



WIRE



SECTION A-A

Part No. Shown : TACP □□□-A1-F1FB-00-3C-D101