

▶ Product Features

- Haptic tactile feel
- Soft silicon actuator
- IP67 Sealed construction
- J-bent or gull-wing terminal



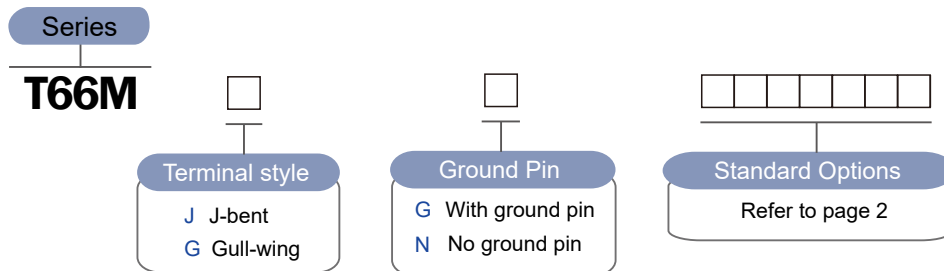
▶ Materials

Part Name	Base	Cover	Stem	Contact	Terminal
Material	PA6T	Stainless Steel	Silicon	Silver plated Stainless Steel	Silver plated Cover Alloy

▶ Specification

Operating Temperature	-20°C to +70°C
Operating Force	140 ~ 400gf
Travel	0.3 ~ 0.6mm
Total Height	3.4, 5.1mm
Power Rating	12 VDC at 50mA
Insulation Resistance	100MΩ
Dielectrical Strength	250VAC for 1-minute
Life Cycle	100,000 ~ 1,000,000

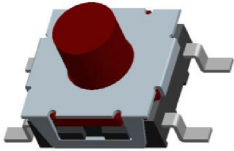
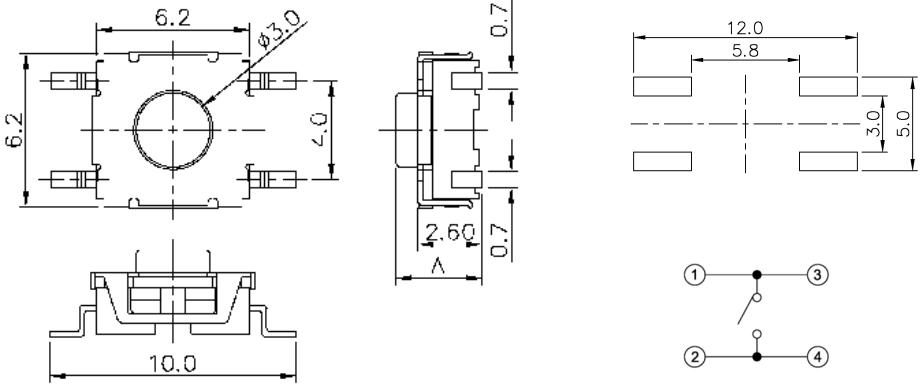
▶ Part Number



► Standard Options

Part No.	Height(mm)	Force(gf)	Life Cycles	Travel(mm)
3430204	3.4	300	200,000	0.4
3430503		250	500,000	0.3
34301M3		140	1,000,000	0.3
5133206	5.1	330	200,000	0.6
5124505		240	500,000	0.5
5120505		200	500,000	0.5
51201M5		160	1,000,000	0.5

► Drawings

Model	Dimension (mm)
<p>T66MG</p> 	
<p>T66MJ</p> 