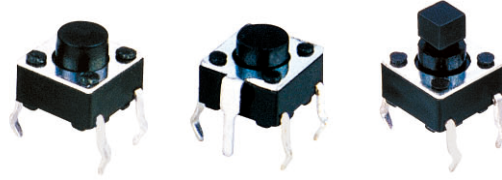


▶ Product Features

- Optional ground pin
- Long-life available
- Multiple options of force and stems
- Silent clicking available
- RoHS Compliant



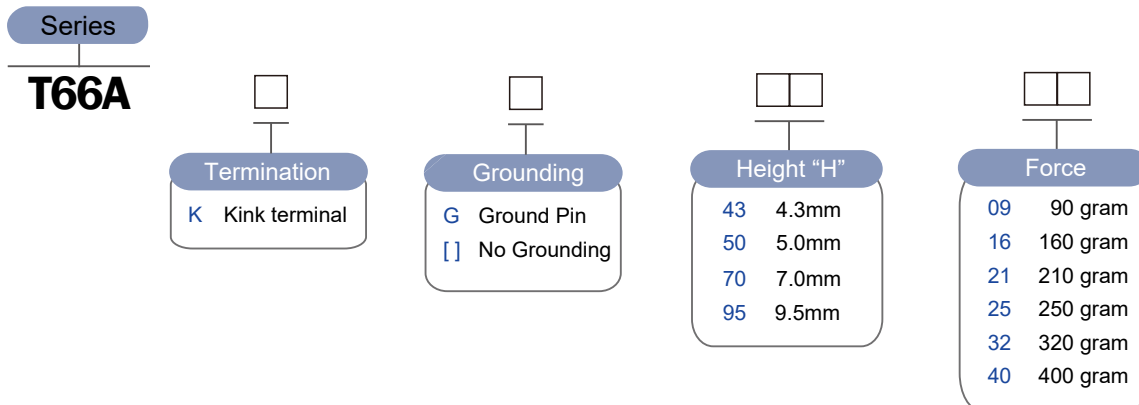
▶ Materials

Part Name	Base	Cover	Stem	Contact	Terminal
Material	PA66	Steel	PA66	Silver plated Phosphor Bronze	Silver plated Brass

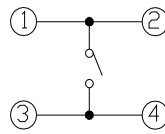
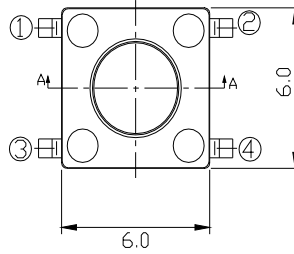
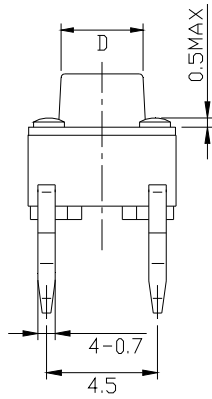
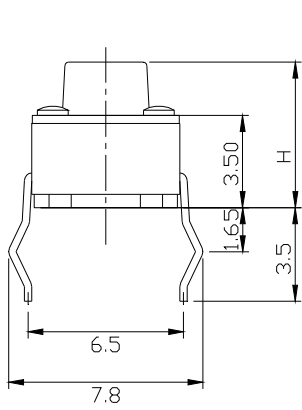
▶ Specification

Operating Force	70 ~ 520 gram
Actuator Travel	0.25 ± 0.1mm
Operating Temperature Range	-30°C ~ 85°C
Voltage Rating	50mA, 12VDC
Actuation Life Cycle	100,000(100-250g) ; 50,000 (>250g) ; 300,000 (<100g)
Insulation Resistance	100 MΩ min @ 100VDC
Dielectric Strength	250VAC for 1 minute
Contact Resistance	100mΩ max.

▶ Part Number

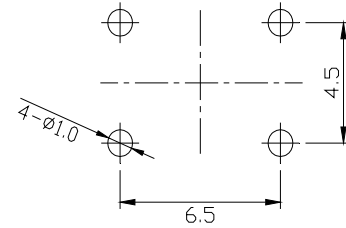


T66AK



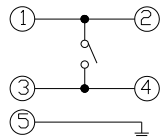
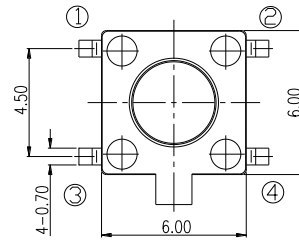
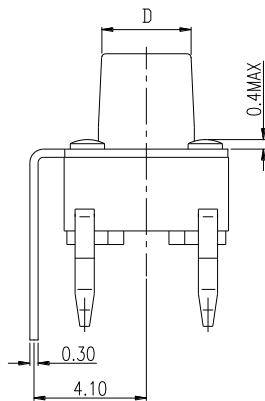
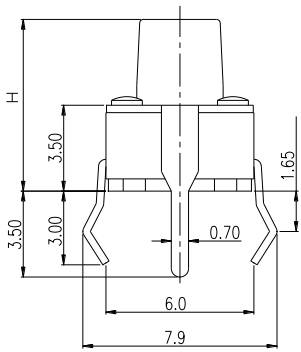
CIRCUIT DIAGRAM

Height "H"	Diameter "D"
4.3	3.5
5.0	3.4
6.0	3.3
7.0	3.3
9.5	3.0



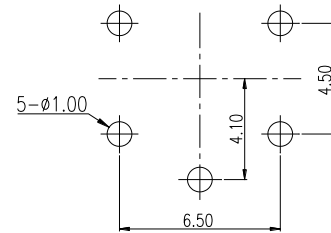
P.C.B LAND DIMENSION

T66AKG



CIRCUIT DIAGRAM

Height "H"	Diameter "D"
4.3	3.5
5.0	3.4
6.0	3.3
7.0	3.3
9.5	3.0



P.C.B LAND DIMENSION