



### Features

- Miniature 3.0 X 2.7mm size
- Slim 1.4mm total height
- Ground terminal
- 200,000 long life cycles

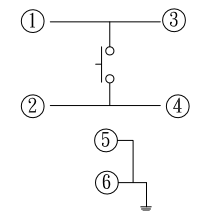
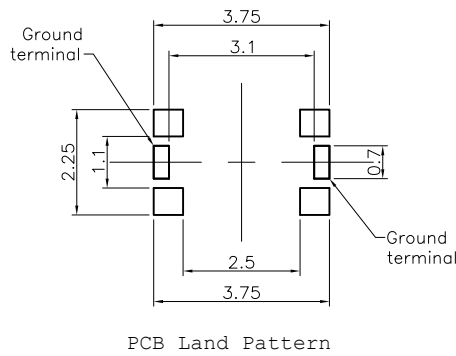
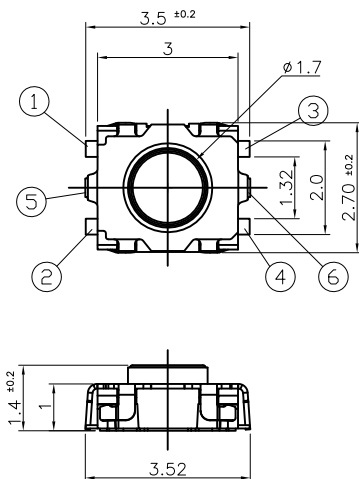
### Applications

Handheld devices that requires sharp feel and compact size. Popular for applications in automotive, mobile, wearable devices, and gaming.

### Specification

Operating Temperature	-30°C to +85°C
Operating Force	160gf, 400gf
Travel	0.12mm
Power Rating	50mA @ 12VDC
Insulation Resistance	100MΩ
Dielectrical Strength	250VAC for 1 minute
Life Cycle	200,000

### Drawing (Unit: mm)



Circuit Diagram

### Ordering Part No.

T33AG1416201G (160gf)

T33AG1440201G (400gf)