

SPECIFICATIONS

RATING: 0.3A 50V DC

FUNCTION: 1P2T , 1P3T, 2P3T

TIMING: NON-SHORTING

CONTACT RESISTANCE: 100 mΩ MAX.

INSULATION RESISTANCE: 100 MΩ min.

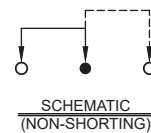
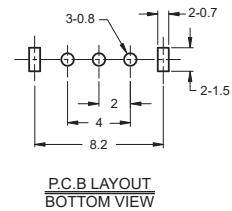
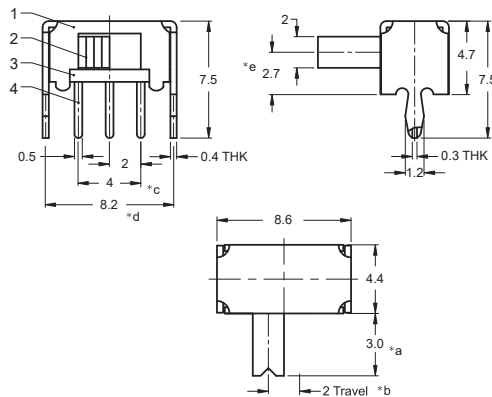
OPERATION FORCE: 250gf, 300gf

PRACTICAL TEMPERATURE RANEG: -16°C to +60°C

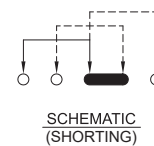
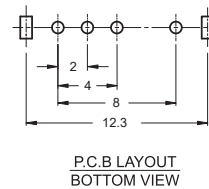
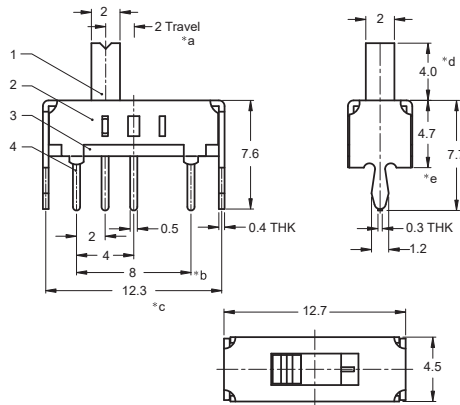
MODEL OPTIONS



Part No.: SS2-1P2T



Part No.: SS2-1P3T



Part No.: SS2-2P3T

