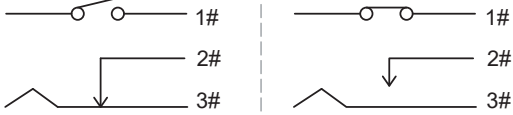


SCHEMATIC



OPEN CIRCUIT

CLOSED CIRCUIT
(PLUG IN)

SPECIFICATION

RATING : DC 15V 2A ; DC 16V 3A

CONTACT RESISTANCE : 30 mΩ MAX.

INSULATION RESISTANCE : 100 MΩ MIN.

MECHANICAL LIFE : 30,000 cycles.

MATERIALS

CASE&HOUSING: Glass filled Nylon 6/6,black.

ACTUATOR : Glass filled Nylon 6/6,gray.

CONTACT : Copper alloy,silver plated.

TERMINALS : Copper alloy,silver plated.

PIN : Brass,nickel plated.

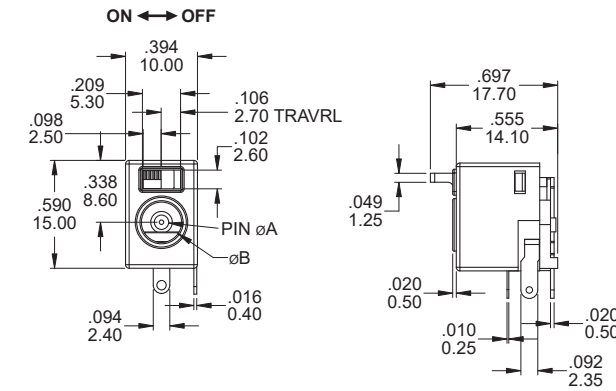


MODEL OPTIONS

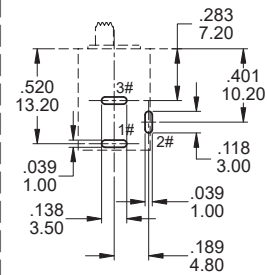


SPST

Dimensions MODEL	PIN Ø A	Ø B
SAJ-003	ø2.00	ø5.60
SAJ-006	ø2.50	ø5.60

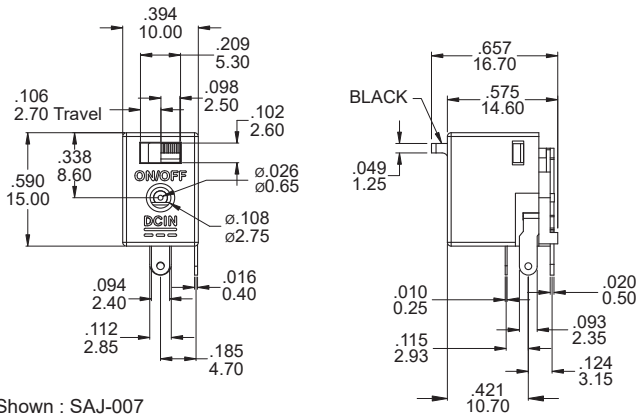


P.C.B LAYOUT Bottom View

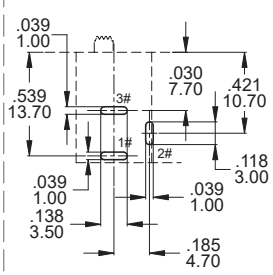


SPST

Part No. Shown : SAJ-007

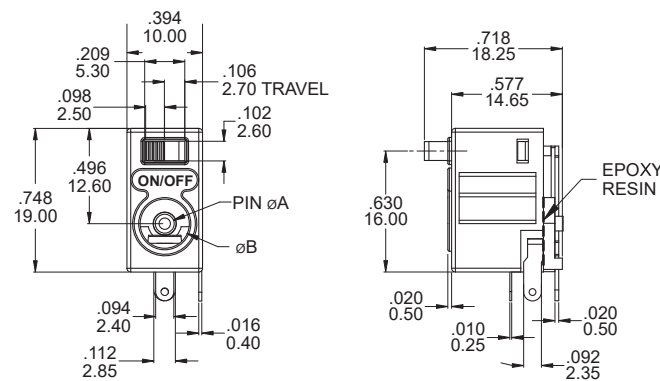


P.C.B LAYOUT Bottom View



SPST

Dimensions MODEL	PIN Ø A	Ø B
SAJ-004	ø2.00	ø6.30
SAJ-005	ø2.50	ø6.50



P.C.B LAYOUT Bottom View

