



### Features

- 100mm long travel
- Programmable and precise slide pattern
- Touch sensitive track
- Custom options available

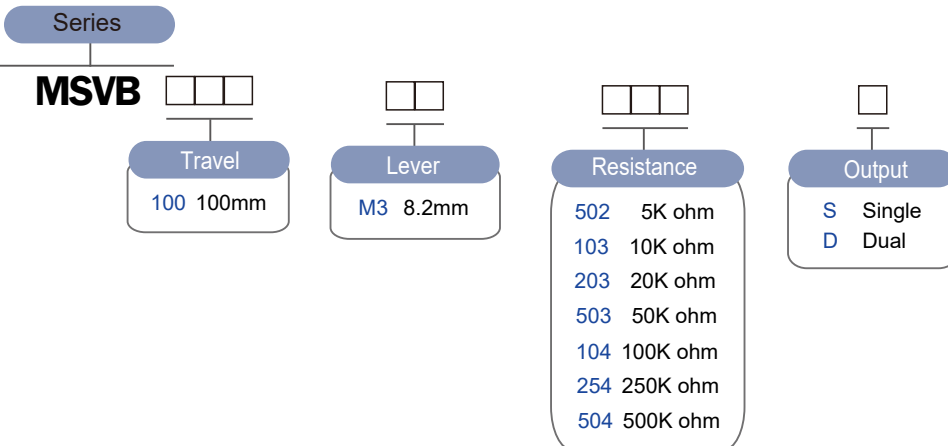
### Applications

Panel control that requires analog signal change via sliding. Popular for high-end audio mixer, stage lighting, or video editing


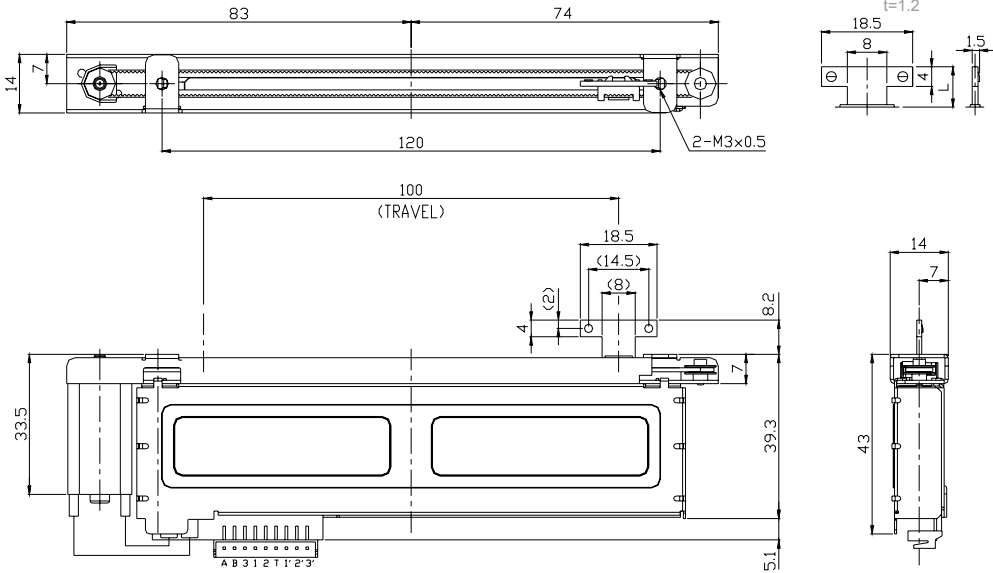
### Potentiometer Specification

Operating Temperature	-10°C to +70°C
Operating Force	10 - 60 gf max.
Total Resistance	5, 10, 20, 50, 100, 250, 500 KΩ
Total Resistance Tolerance	±20%
Resistance Taper	Standard linear , custom linear or audio
Insulation Resistance	100 MΩ min. at 250 VDC
Operating Voltage	5VDC
Max. Operating Current	800mA
Slide Travel	100mm
Life Cycle	1,000,000

### How to order



### Potentiometer Specification

Model	Dimensions
<p>MSVB</p> 	 <p><b>CIRCUIT DIAGRAM</b></p> 