



SPECIFICATIONS

CONTACT RESISTANCE : 10 mΩ MAX.

INSULATION FORCE: Push Force: 2000±500g

Pull Force: 2100±600g

Total Travel: 2mm±0.2

OPERATING LIFE :

Electronics Life: 4A,24VDC,10 000cycles

Mechanical Life: 6-8 Operation cycles per minute,100,000cycles

OPERATING TEMPERATURE: -40±3°C(96hours)to+ 85±3°C(96hours)

DIELECTRIC STRENGTH:

1,000V RMS 50HZ MIN.Between terminals

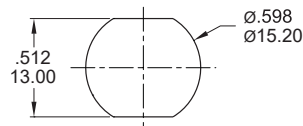
2,000V RMS 50HZ MIN.Between terminals and metal panel

CIRCUIT / PANEL MOUNTING

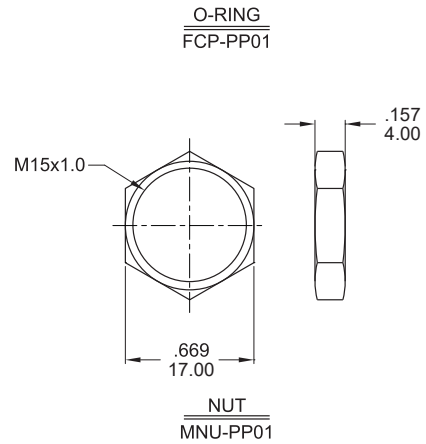
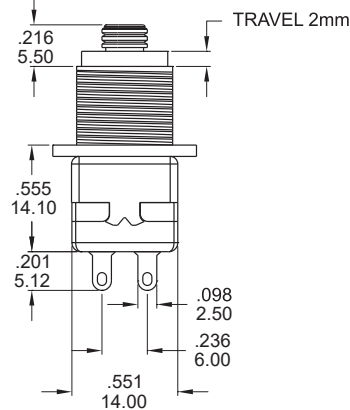
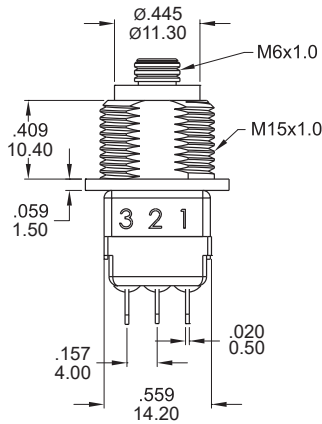
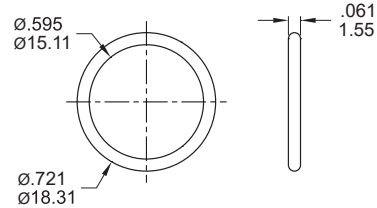
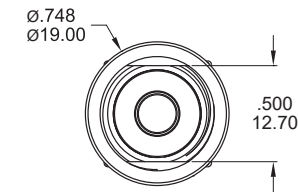
CIRCUIT

NO. POLES	Push	ON	1-3 4-6
	Pull	ON	1-2 4-5

PANEL CUT-OUT

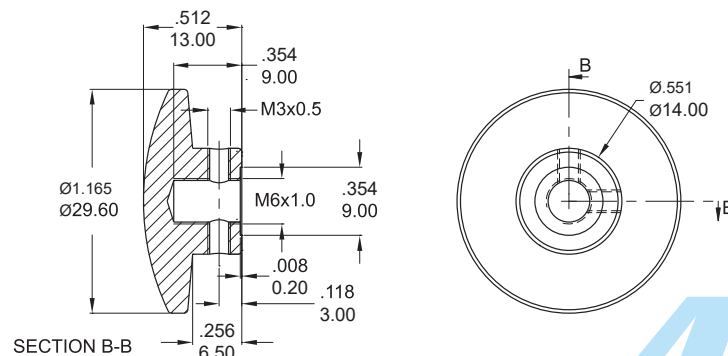


Part No. Shown: MPE-003



CAP

Part No. Shown : CP-PP04-3



MATERIAL: Aluminum
SURFACE TREATMENT: Anodized,RED