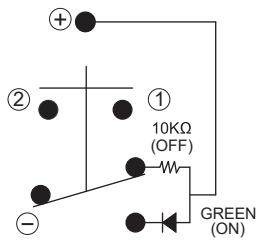


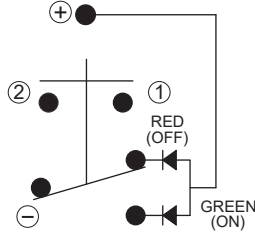
SCHEMATIC / PANEL CUTOUT / HARDWARE

SCHEMATIC



Single Color Led

* Push-OFF, Without light
Push-ON, LED Green light (Latching)

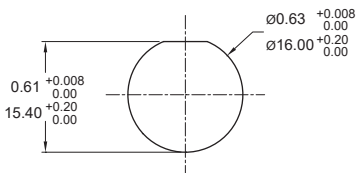


Dual Color Led

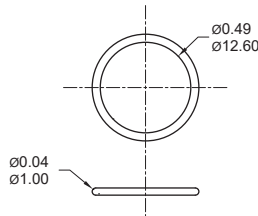
* Push-OFF, LED Red light
Push-ON, LED Green light (Latching)

PANEL CUTOUT

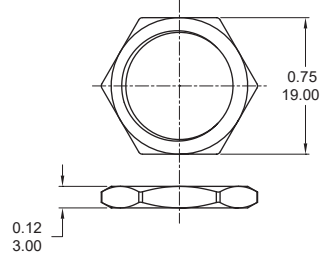
Panel Thickness : 6.0mm Max.



HARDWARE



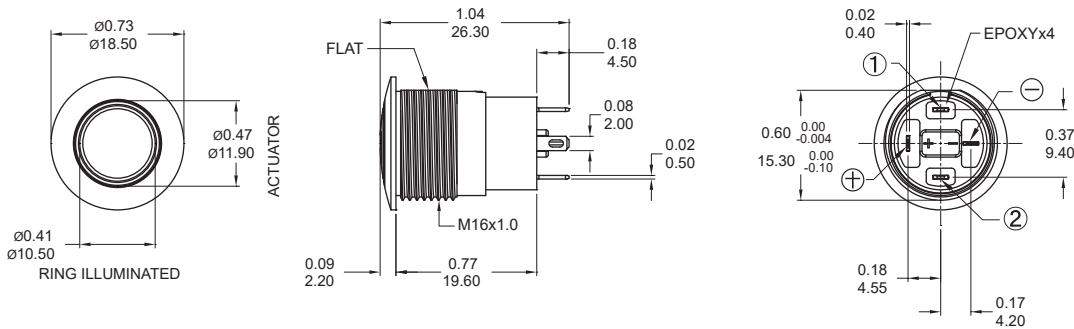
O-RING



NUT

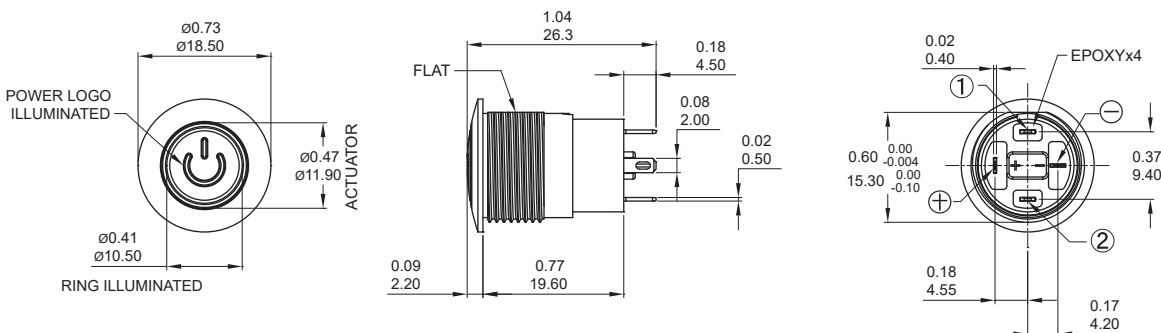
DIMENSION

E Ring



Part No. Shown : MP16L-CARE-□□-JR-3V

P Power logo



Part No. Shown : MP16L-CARP-□□-JR-3V