



SPECIFICATIONS

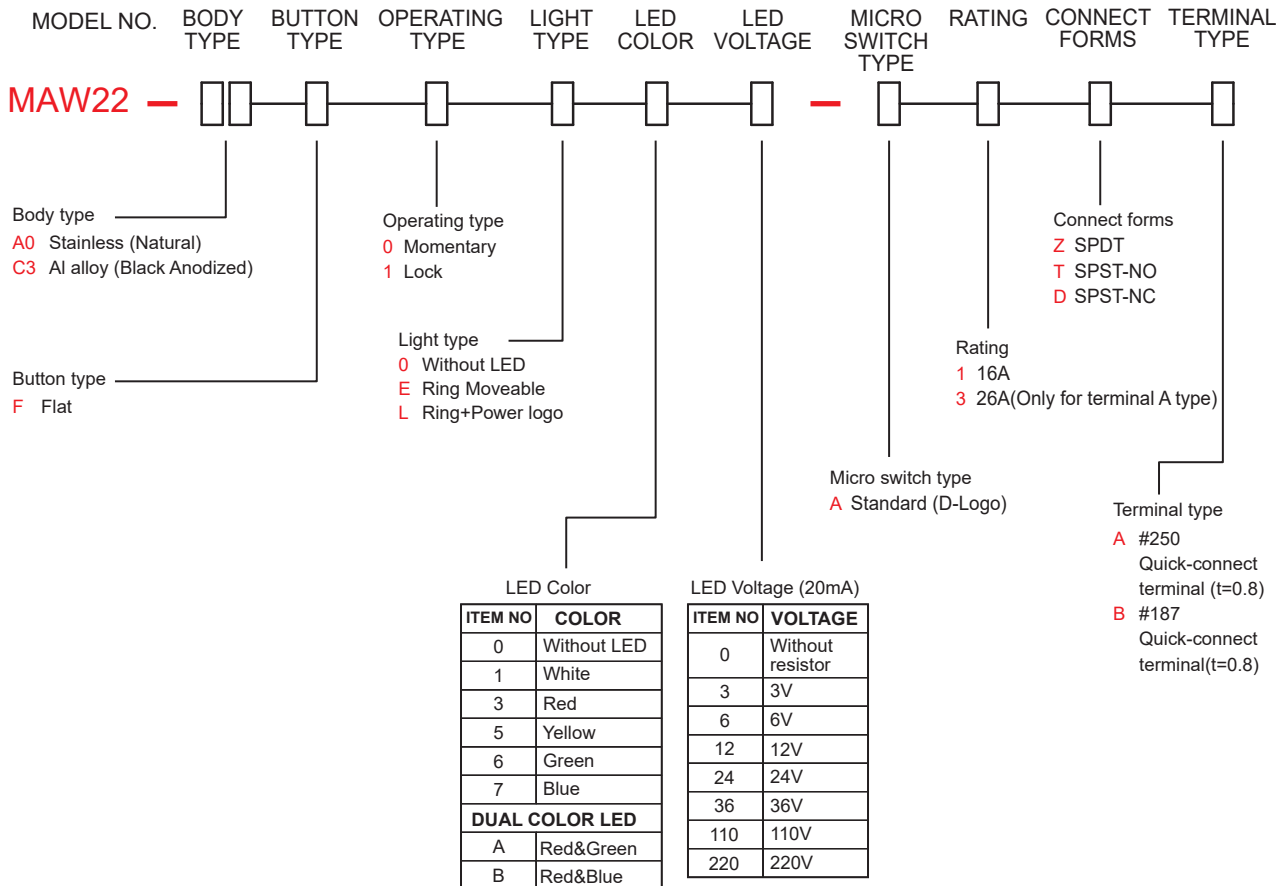
- RATING :** 16A, 26A 250/125VAC.
- CONTACT RESISTANCE :** 50 mΩ max. @ 1A 12VDC (initial value)
- INSULATION RESISTANCE :** 100 MΩ min. at 500VDC
- DIELECTRIC STRENGTH :** 1,500V RMS @ sea level
- OPERATION TEMPERATURE :** -25°C to 85°C
- MECHANICAL LIFE :** Momentary 1,000,000 cycles
Latching 500,000 cycles
- ELECTRICAL LIFE :** 16A /125&250VAC 50,000 CYCLES
26A /125&250VAC 10,000 CYCLES
- OPERATION PRESSURE :** 3.5±1.5N
- TRAVEL :** About 3.2mm
- INGRESS PROTECTION :** IP67, IK08(Stainless)
- TORQUE:** 1~3Nm.

MATERIALS

- BUSHING :** Stainless Steel / Aluminum alloy
- BASE :** PBT(UL 94-V0) , PC(UL 94-V2)
- ACTUATOR :** PC ; Stainless Steel / Aluminum alloy
- INNER ASSEMBLY :** POM / PA66.
- SPRING :** Steel.
- SEALING :** Silicone.
- O-Ring :** Silicone.
- TERMINAL:** Brass ,Silver plated.
- HEX NUT :** Nickel plated brass.



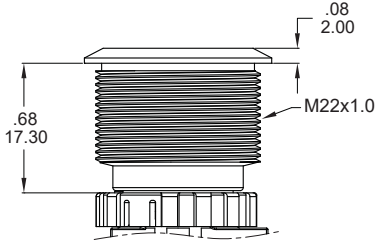
HOW TO ORDER



EXAMPLE:
 MAW22-A0R0000-A3ZA (Without LED)
 MAW22-A0F0E -A3ZA
 LED color LED voltage

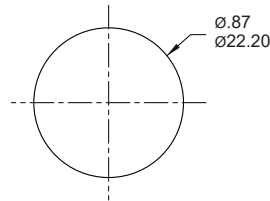
BODY TYPE

A0/C3



PANEL MOUNTING

Max. Panel thickness: 10.0mm[.39]

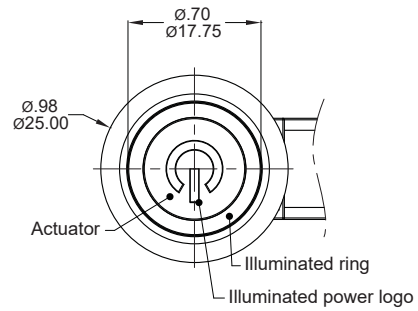
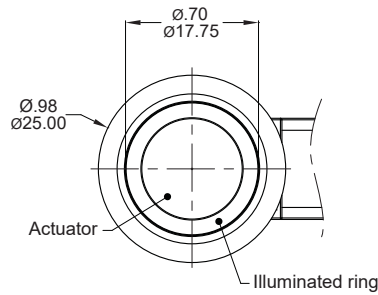
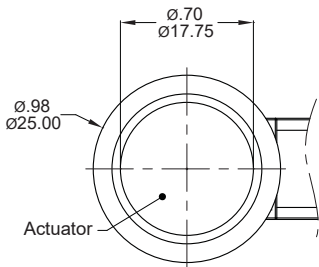


LIGHT TYPE

0 Without LED

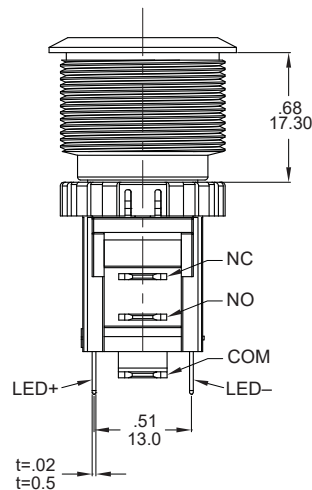
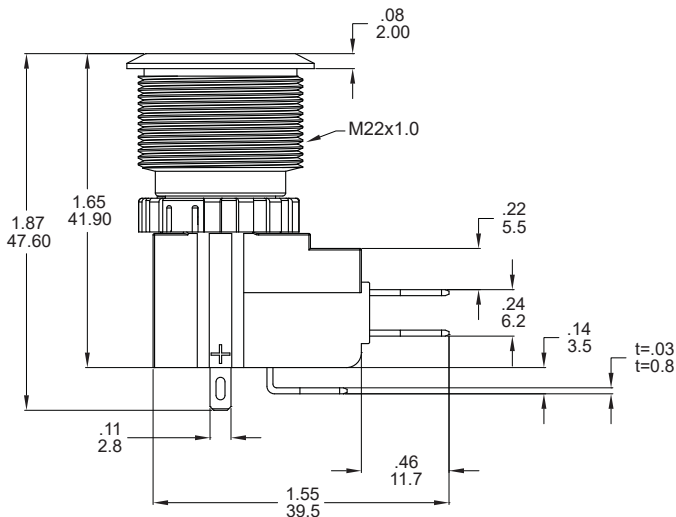
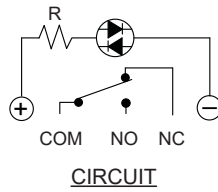
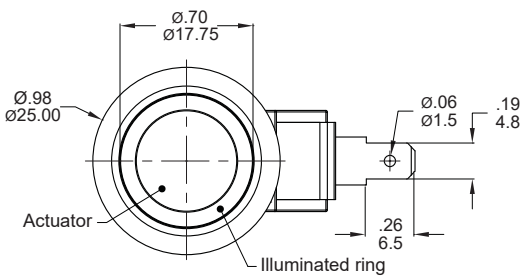
E Ring Moveable

L Ring+Power logo



DIMENSION

E Ring Moveable



Part No. Shown : MAW22-A0FE612-A1ZB