



SPECIFICATIONS

- RATING** : 16A, 26A 250/125VAC.
- CONTACT RESISTANCE** : 50 mΩ max. @ 1A 12VDC (initial value)
- INSULATION RESISTANCE** : 100 MΩ min. at 500VDC
- DIELECTRIC STRENGTH** : 1,500V RMS @ sea level
- OPERATION TEMPERATURE** : -25°C to 85°C
- MECHANICAL LIFE** : Momentary 1,000,000 cycles
Latching 500,000 cycles
- ELECTRICAL LIFE** : 16A/125&250VAC 50,000 CYCLES
26A/125&250VAC 10,000 CYCLES
- OPERATION PRESSURE** : 3.5±1.5N
- TRAVEL** : About 3.2mm
- INGRESS PROTECTION** : IP67, IK08(Stainless)
- TORQUE**: 1~3Nm.

MATERIALS

- BUSHING** : Stainless Steel / Aluminum alloy
- BASE** : PBT(UL 94-V0) , PC(UL 94-V2)
- ACTUATOR** : PC ; Stainless Steel / Aluminum alloy
- INNER ASSEMBLY** : POM / PA66.
- SPRING** : Steel.
- SEALING** : Silicone.
- O-Ring** : Silicone.
- TERMINAL**: Brass ,Silver plated.
- HEX NUT** : Nickel plated brass.



HOW TO ORDER

| MODEL NO. | BODY TYPE | BUTTON TYPE | OPERATING TYPE | LIGHT TYPE | LED COLOR | LED VOLTAGE | MICRO SWITCH TYPE | RATING | CONNECT FORMS | TERMINAL TYPE |
|----------------|-----------|-------------|----------------|------------|-----------|-------------|-------------------|--------|---------------|---------------|
| MAW19 — | □ | □ | □ | □ | □ | □ | — | □ | □ | □ |

Body type

- A0 Stainless (Natural)
- C3 Al alloy (Black Anodized)

Operating type

- 0 Momentary
- 1 Lock

Light type

- 0 Without LED
- E Ring Moveable (Flat button only)
- L Ring+Power logo (Flat button only)
- P Power logo
- D Spot

LED Color

| ITEM NO | COLOR |
|-----------------------|-------------|
| 0 | Without LED |
| 1 | White |
| 3 | Red |
| 5 | Yellow |
| 6 | Green |
| 7 | Blue |
| DUAL COLOR LED | |
| A | Red&Green |
| B | Red&Blue |

LED Voltage (20mA)

| ITEM NO | VOLTAGE |
|---------|------------------|
| 0 | Without resistor |
| 3 | 3V |
| 6 | 6V |
| 12 | 12V |
| 24 | 24V |
| 36 | 36V |
| 110 | 110V |
| 220 | 220V |

Rating

- 1 16A
- 3 26A(Only for terminal A type)

Micro switch type

- A Standard (D-Logo)

Connect forms

- Z SPDT
- T SPST-NO
- D SPST-NC

Terminal type

- A #250 Quick-connect terminal (t=0.8)
- B #187 Quick-connect terminal (t=0.8)

EXAMPLE:
MAW19-A0R0000-A3ZA(Without LED)

MAW19-A0F0E□□-A3ZA

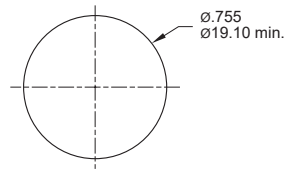
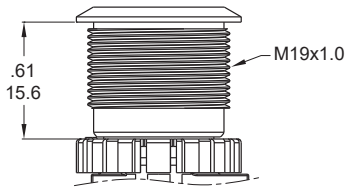
LED color — LED voltage

BODY TYPE

A0/C3

PANEL MOUNTING

Max. Panel thickness: 10.0mm[.39]

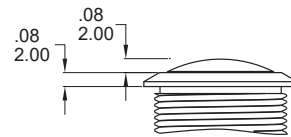
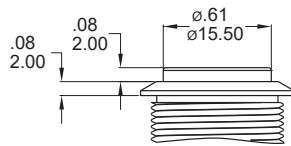
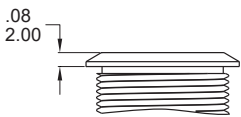


BUTTON TYPE

F Flat Button

H High Button

R Round Button (Without LED only)



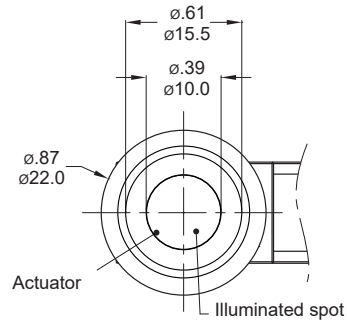
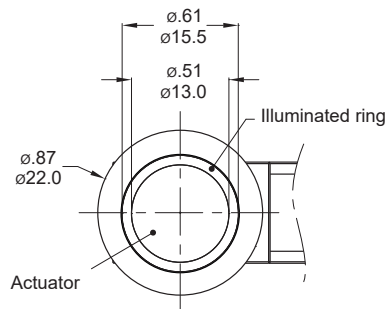
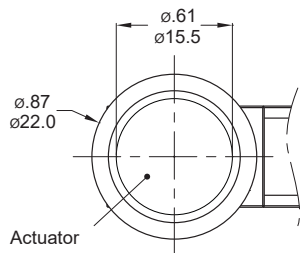
LIGHT TYPE

0 Without LED

E Ring Moveable

* Flat button for E light type only.

D Spot



P Power logo

L Ring+Power logo

* Flat button for L light type only.

