

▶ Product Features

- Slim thickness
- Optional illumination
- Momentary push switch integrated
- RoHS Compliant



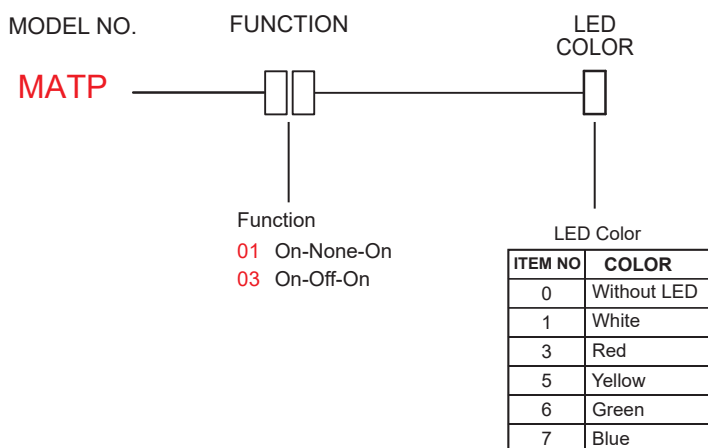
▶ Materials

Part Name	Housing	Cover	Actuator	Contact	Terminal
Material	LCP	Stainless Steel	LCP	Silver plated Stainless Steel	Silver plated Brass

▶ Specification

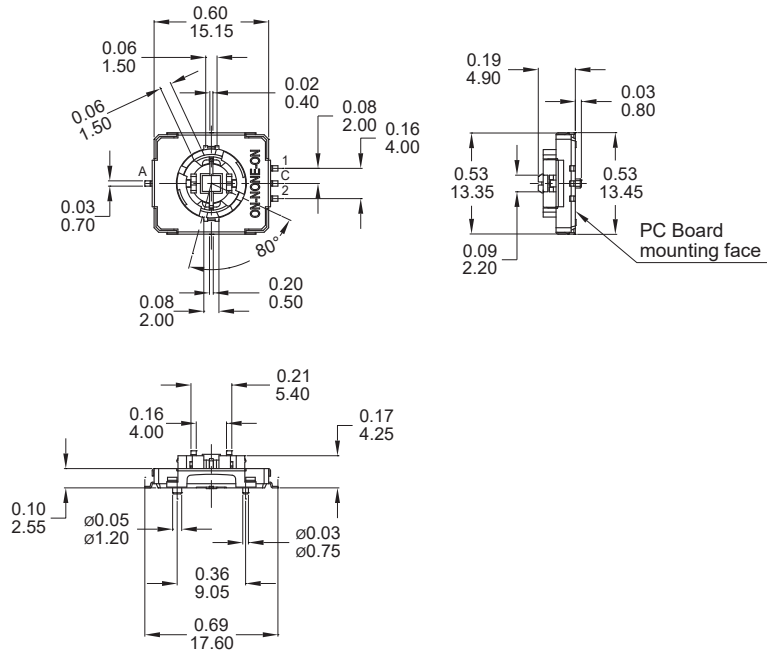
Rotational Torque	1.3N ± 0.4 N
Positions	3
Operating Temperature Range	-20°C ~ 70°C
Voltage Rating	50mA, 12VDC
Actuation Life Cycle	10,000
Insulation Resistance	100 MΩ min @ 100VDC
Dielectric Strength	100VAC for 1 minute
Contact Resistance	200mΩ max.

▶ Part Number



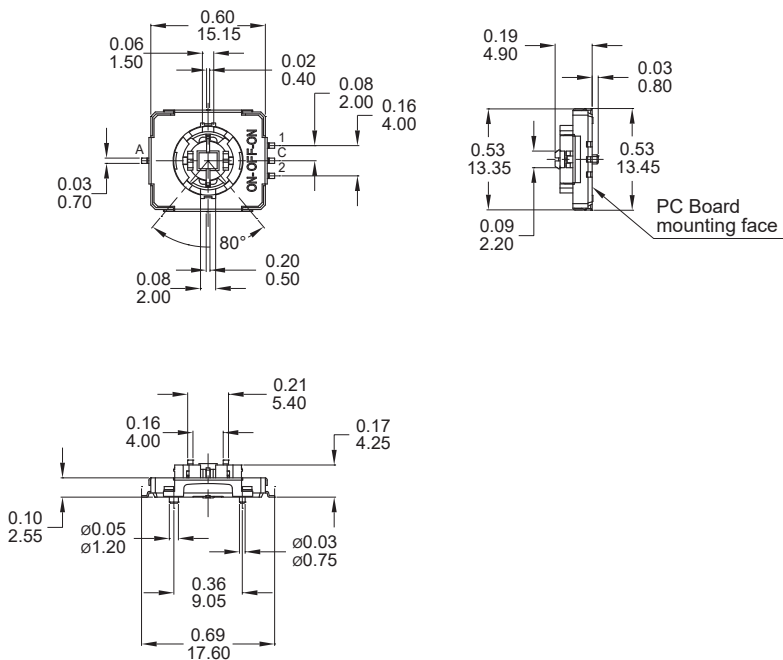
DIMENSION

S1



Part No. Shown : MATP-01 □

S3



Part No. Shown : MATP-03 □