

HOW TO ORDER

LPOP□□□□-□□

SPECIFICATION

Rating: 10A 250VAC, 15A 125VAC

Insulation resistance: DC 500V 200M Ω or more

Contact resistance: DC 24V 1A 20m Ω or less

Withstand voltage: AC 1500V OR MORE

MODEL NO.: 703

703A

703B

704-1

704-1A

705

705A





705B

706-1

706-1A

TERMINATIONS: H1
H2
H3
H4
H5

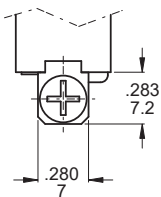
SWITCH FUNCTION

NO. POLES	MODEL NO.	SWITCH FUNCTION		CONNECTED TERMINALS	
		POS.1	POS.2	POS.1	POS.2
					
SPST	LPOP703	ON	OFF	1-3	—
	LPOP703A	OFF	(ON)	1-3	—
	LPOP703B	ON	(OFF)	1-3	—
SPDT	LPOP704-1	ON	ON	1-2	2-3
	LPOP704-1A	ON	(ON)	1-2	2-3
DPST	LPOP705	ON	OFF	1-3,4-6	—
	LPOP705A	OFF	(ON)	1-3,4-6	—
	LPOP705B	ON	(OFF)	1-3,4-6	—
DPDT	LPOP706-1	ON	ON	1-2,4-5	2-3,5-6
	LPOP706-1A	ON	(ON)	1-2,4-5	2-3,5-6

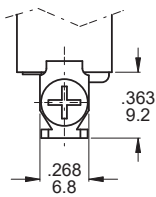
()=MOMENTARY

TERMINATION OPTIONS

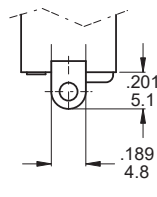
H1



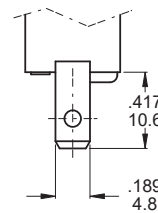
H2



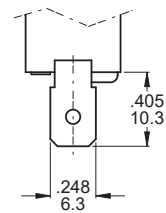
H3



H4

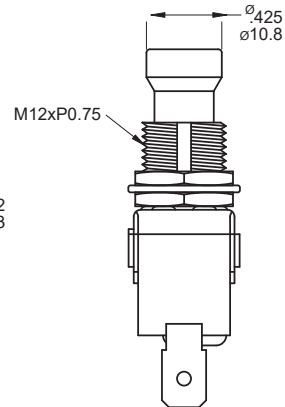
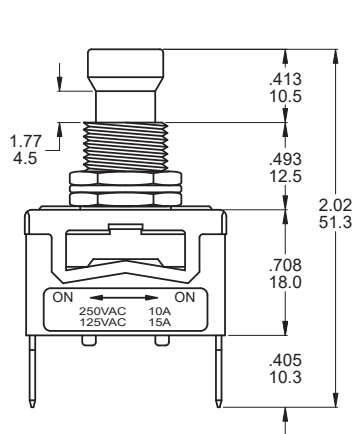
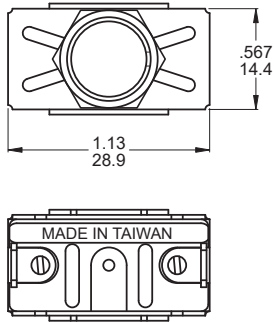


H5

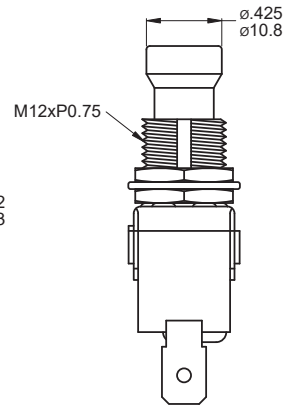
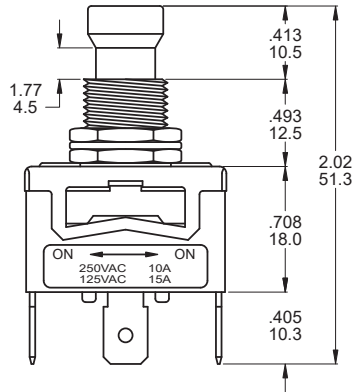
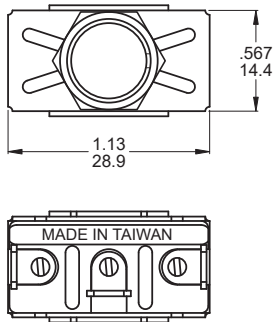




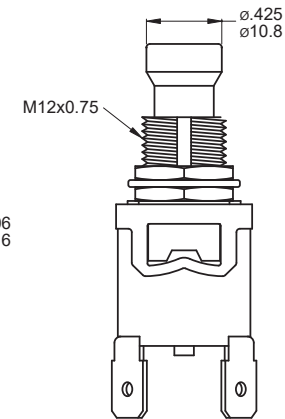
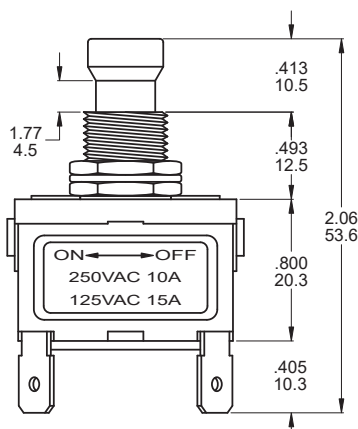
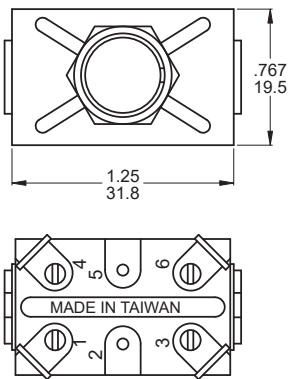
SPST
LPOP703-H5



SPDT
LPOP704-1-H5



DPST
LPOP705-H5



DPDT
LPOP706-1-H5

