

▶ Product Features

- Miniature package for space saving
- Normal close
- Top actuated
- RoHS Compliant



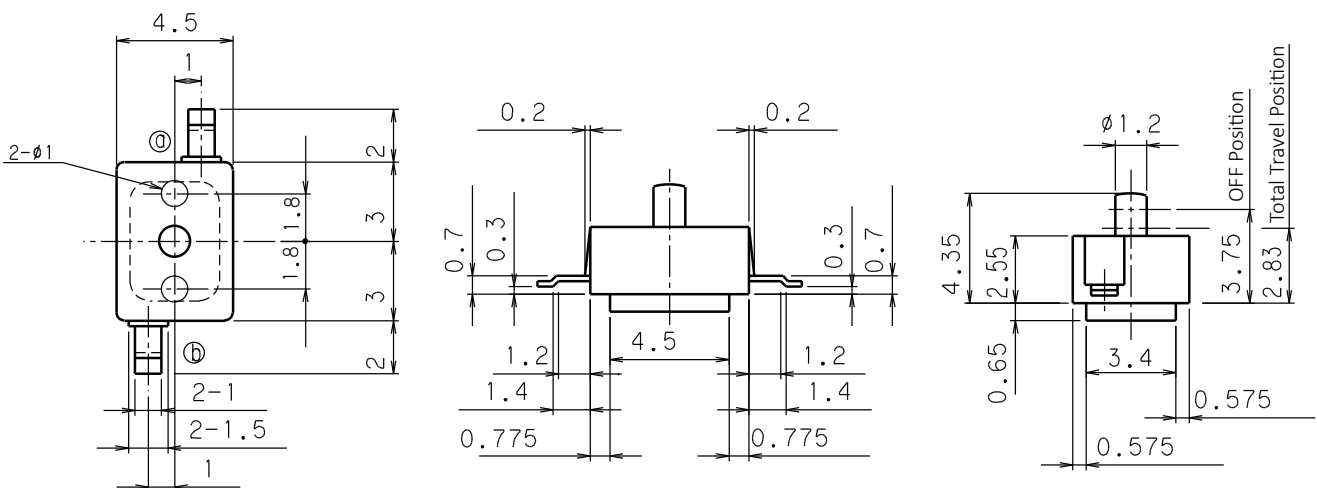
▶ Materials

Part Name	Housing	Cover	Knob	Terminal	Spring
Material	Polyamide	Polycarbonate	POM	Phosphor bronze with silver plating	Stainless Steel

▶ Specification

Operating Force	35 gram max.
Operating Temperature Range	-20°C ~ 70°C
Voltage Rating	5VDC, 0.1~5mA
Actuation Life Cycle	100,000
Insulation Resistance	50 MΩ min @ 250VDC
Dielectric Strength	250 VAC for 1 minute
Contact Resistance	2Ω max.

▶ Drawing



Above Part No. is DS8-M1