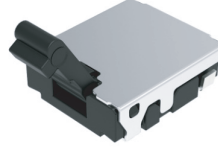


### ▶ Product Features

- Miniature package for space saving
- Normal close or open
- Top actuated
- RoHS Compliant



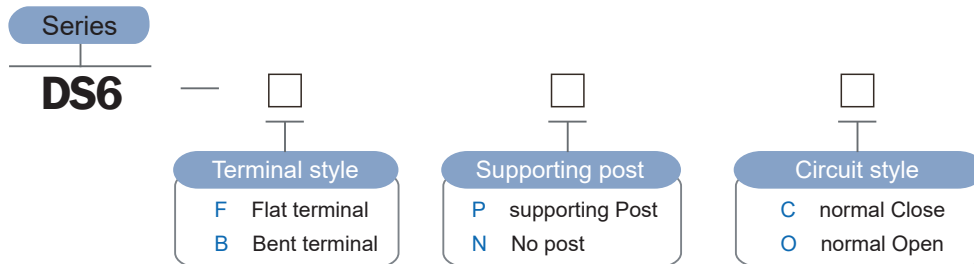
### ▶ Materials

Part Name	Housing	Cover	Lever	Contact	Terminal
Material	LCP with glass fiber	Stainless Steel	Nylon with glass fiber	Stainless steel with silver plating	Copper alloy with silver plating

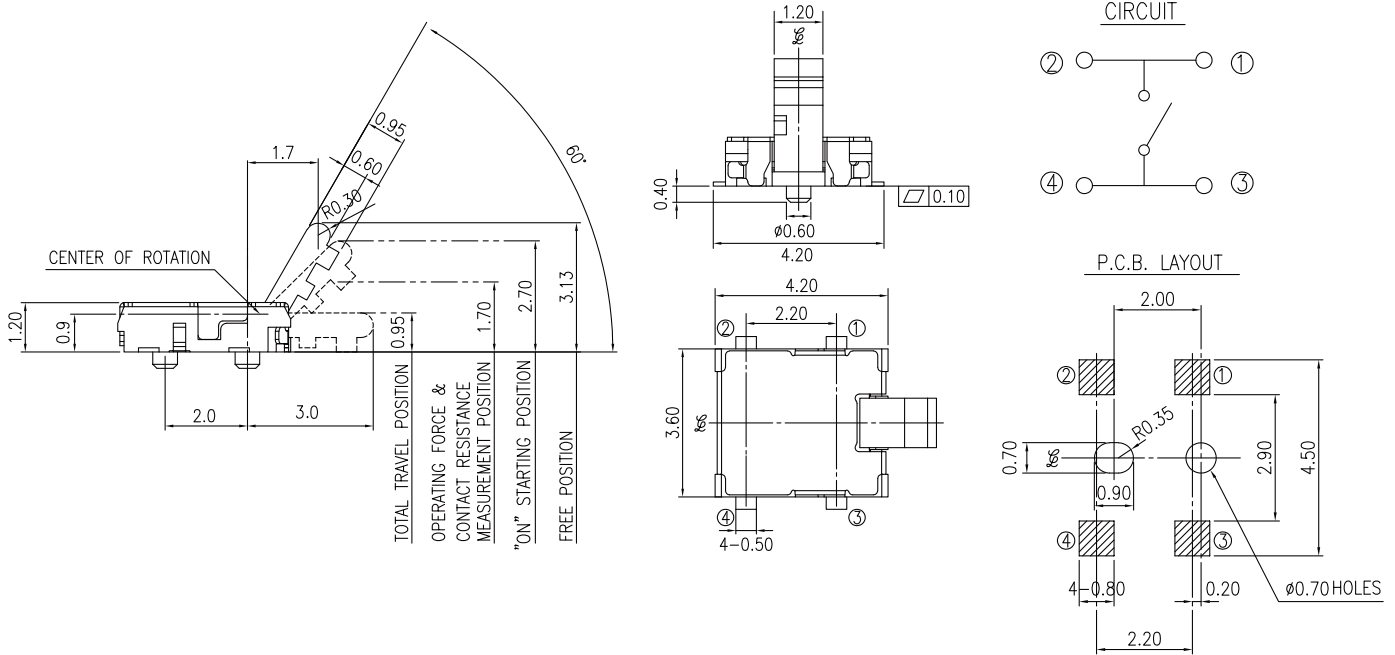
### ▶ Specification

Operating Force	35 gram max.
Operating Temperature Range	-40°C ~ 85°C
Voltage Rating	1mA, 5VDC(max.); 100µA, 3VDC(min.)
Actuation Life Cycle	50,000
Insulation Resistance	100 MΩ min @ 100VDC
Dielectric Strength	100 VAC for 1 minute
Contact Resistance	3Ω max.

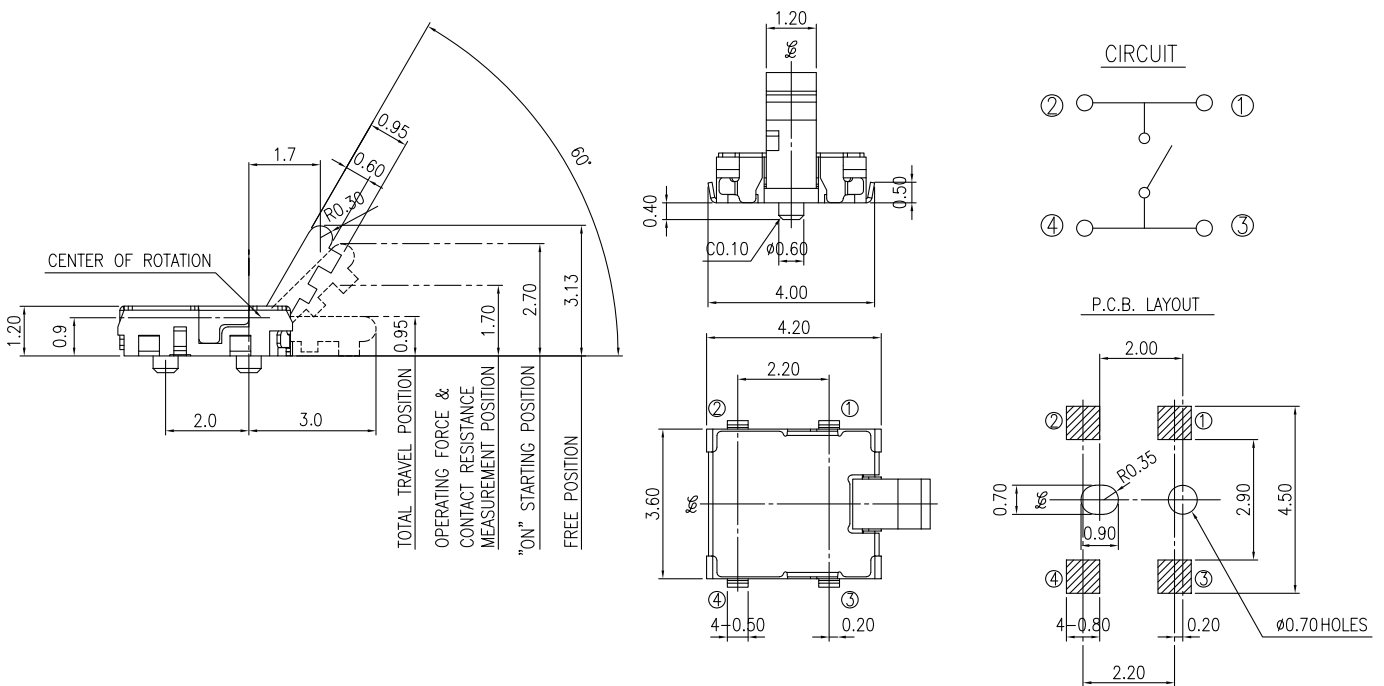
### ▶ Part Number



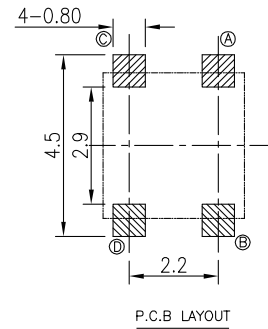
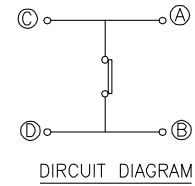
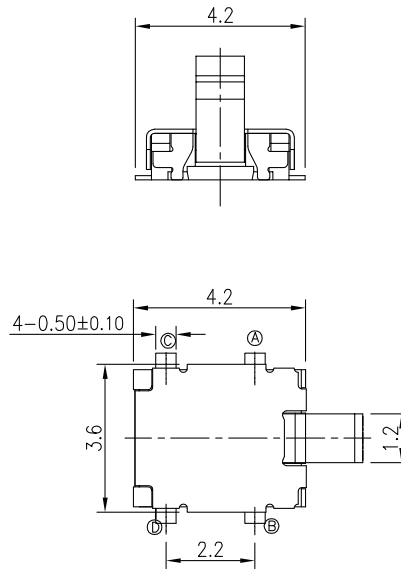
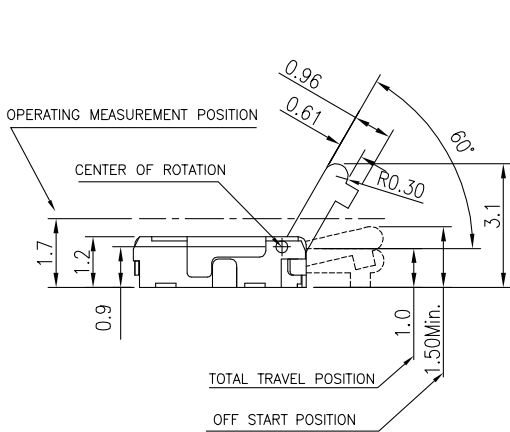
### DS6-FPO



### DS6-BPO



#### DS6-FNC



#### DS6-BPC

