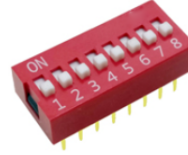


▶ Product Features

- Standard 2.54mm pitch
- Top actuation
- 1-10, 12 positions
- RoHS compliant



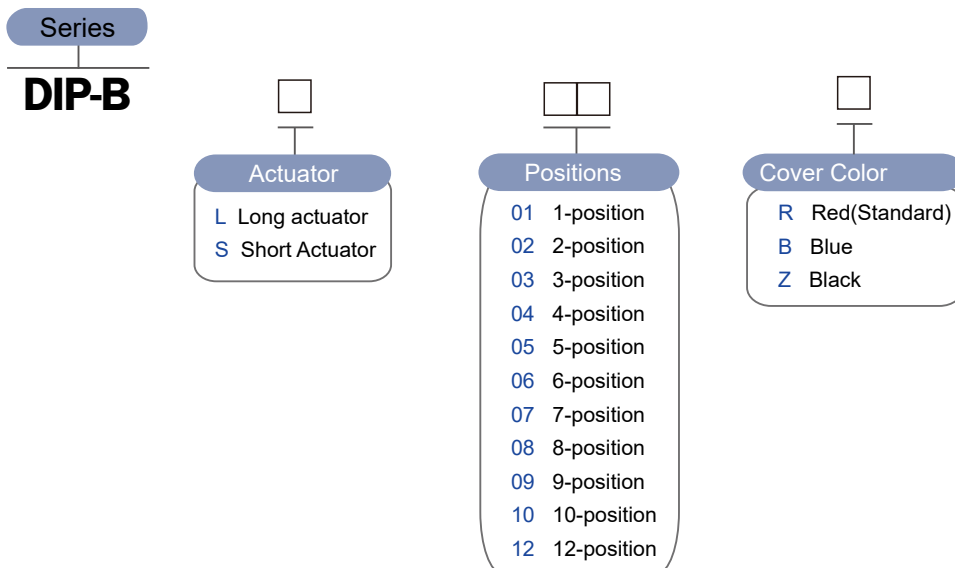
▶ Materials

Part Name	Base	Cover	Actuator	Contact	Terminal
Material	PBT	PBT	PBT	Gold plated Copper alloy	Gold plated Copper alloy

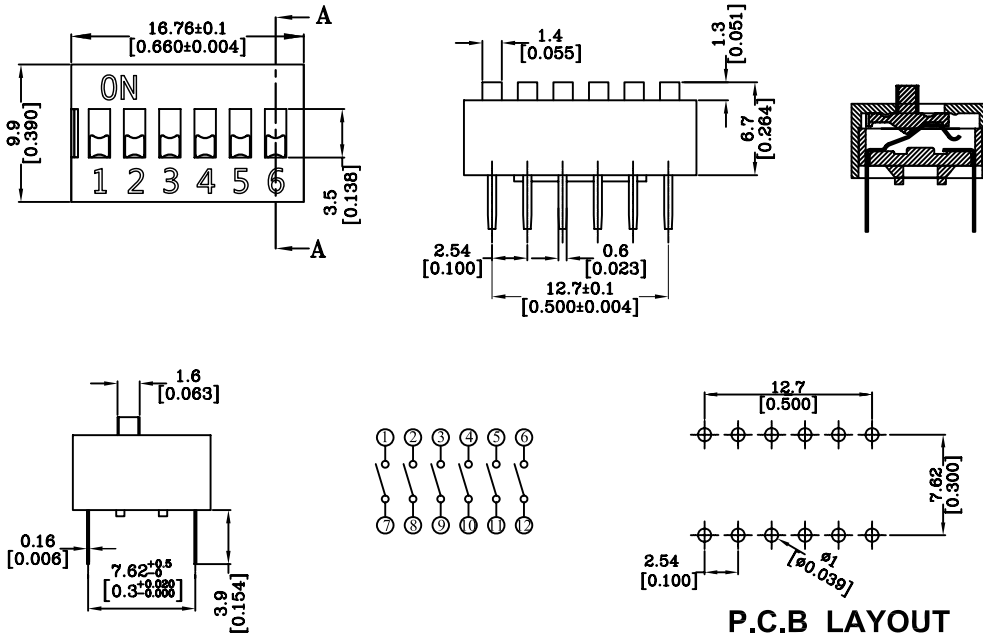
▶ Specification

Operating Force	200 gram max.
Soldering Condition	260°C for 5 sec. or 320°C for 2 sec.
Operating Temperature Range	-40°C ~ 85°C
Non-switching Rating	100mA, 50VDC
Actuation Life Cycle	3,000
Insulation Resistance	100 MΩ min @ 500VDC
Dielectric Strength	500VAC for 1 minute
Contact Resistance	50mΩ max., Initial

▶ Part Number



DIP-BL, Long Actuator



Position	A
01	4.06
02	6.60
03	9.14
04	11.68
05	14.22
06	16.76
07	19.30
08	21.84
09	24.38
10	26.92
12	32.00