

### ▶ Product Features

- Robust packaging
- Gold plating for durability
- Long-travel
- RoHS Compliant



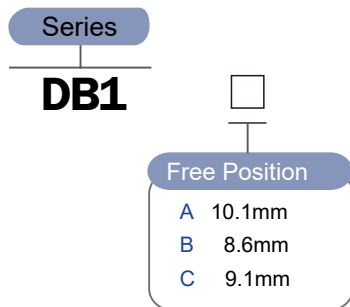
### ▶ Materials

Part Name	Housing	Cover	Actuator	Contact	Terminal
Material	LCP	LCP	LCP	Gold plated Brass	Gold plated Brass

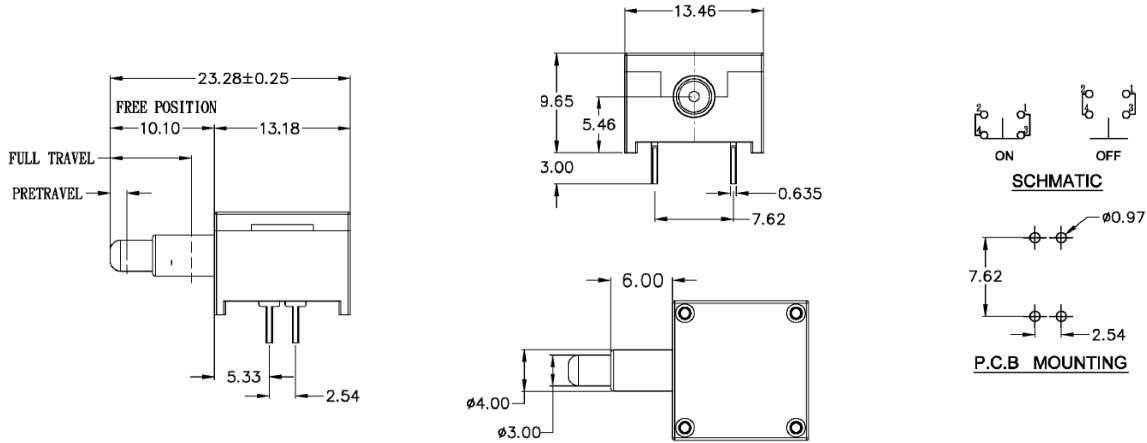
### ▶ Specification

Operating Force	250±50 gram max.
Operating Temperature Range	-30°C ~ 85°C
Voltage Rating	20mV, 20VDC
Actuation Life Cycle	10,000
Insulation Resistance	100 MΩ min @ 100VDC
Dielectric Strength	250 VAC for 1 minute
Contact Resistance	100mΩ max.

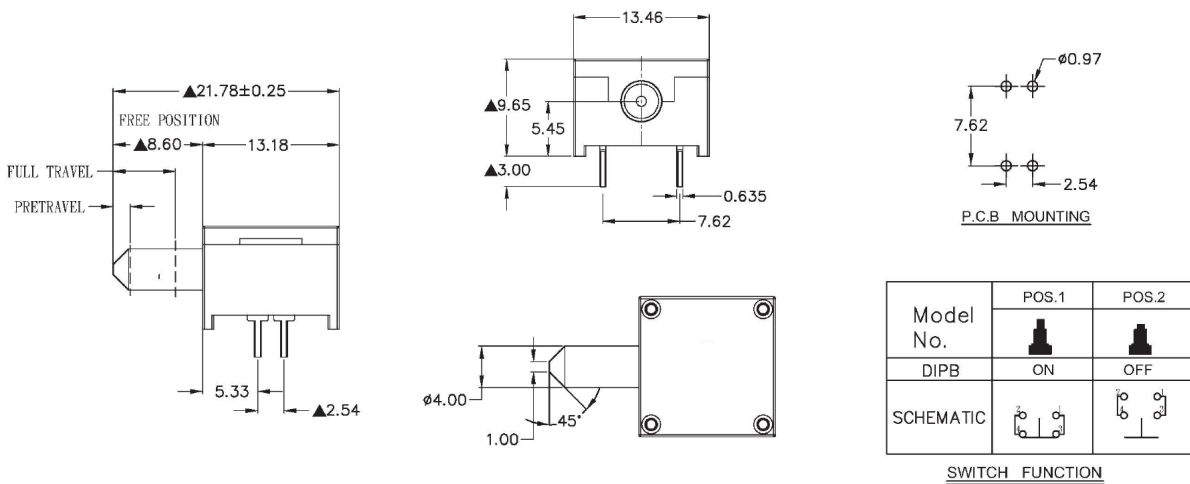
### ▶ Part Number



### DB1-A



### DB1-B



### DB1-C

