



#### SPECIFICATIONS

**ELECTRICAL RATING :** DC 15V 3A

**CONTACT RESISTANCE :** < 30mΩ(initial)

**INSULATION RESISTANCE :** > 500MΩ

(500VDC between open contacts)

**DIELECTRIC STRENGTH :** >500V 1 minute

**ELECTRICAL LIFE :** 6000 cycles

#### MATERIALS

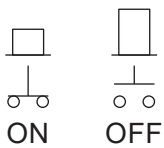
**CASE&HOUSING:** Glass filled Nylon 6/6,black.

**ACTUATOR :** Glass filled Nylon 6/6,Black.

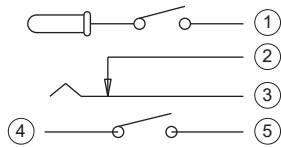
**CONTACT :** Copper alloy,silver plated.

**TERMINALS :** Copper alloy,silver plated.

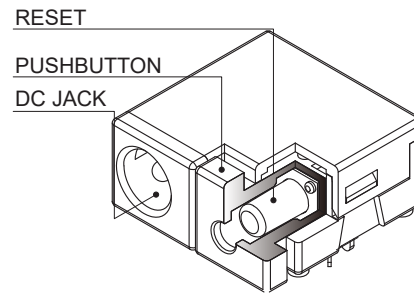
**PIN :** Brass,nickel plated.



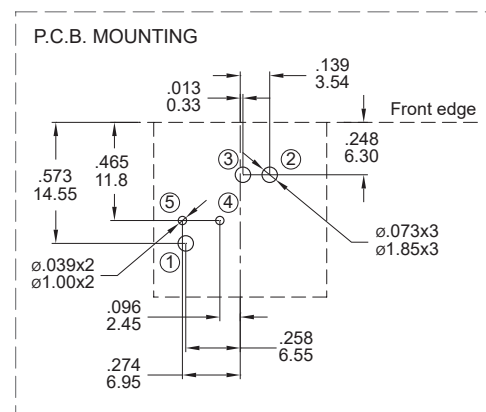
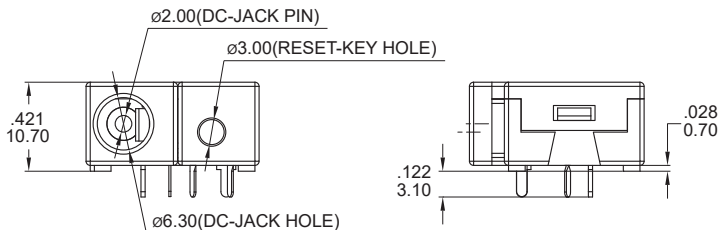
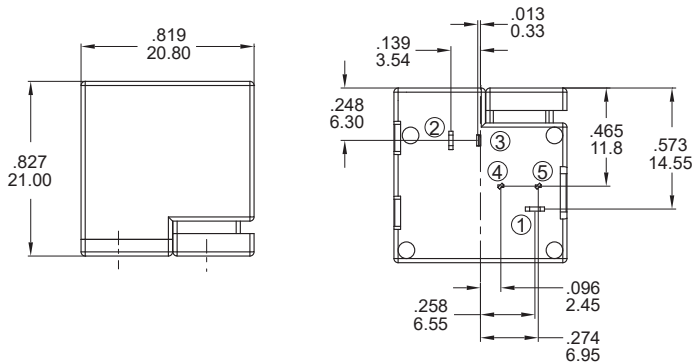
Switch Circuit Diagram



Circuit Diagram



## DIMENSION



Part No.: DAPR-01