



Features

- Large actuation surface in square shape
- One or two phase click (SPST, SPDT)
- Long actuation travel
- Dust-proof
- Custom options available

Applications

Key switches of crane remote controller or industrial control

Specification

Operating Temperature	-40°C to +95°C
Operating Force	SPST: 4.9±1.5N SPDT: 5±1N (Position 1), 11.5±1.5N(Position 2)
Power Rating	30mA@28VDC
Life Cycle	20,000
Travel	2.0mm

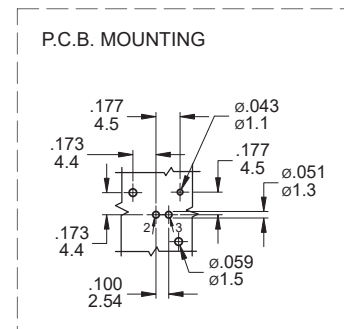
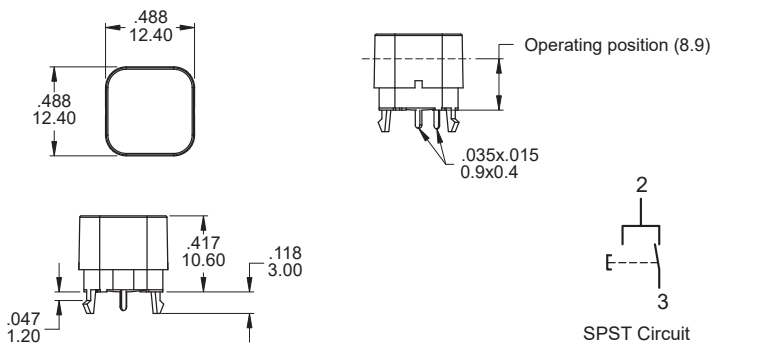
Material

Cap	Housing	Spring	Contact	Terminal
POM, Black	PA with grass fiber	Piano Wire	Silver plated Brass	Silver plated Brass

Diagram



P/N: CK1-SPST



P/N: CK1-SPDT

