

SPECIFICATIONS

CONTACT RATING: 0.4Volt-Amps(VA) max.@20V max(AC or DC)

MECHANICAL LIFE: 100,000 make-and-break cycles.

ELECTRICAL LIFE: 50,000 cycles.

CONTACT RESISTANCE: 10 mΩ max. initial @ 2-4VDC
100mA for both silver and gold plated contacts.

INSULATION RESISTANCE: 1,000 MΩ min.

DIELECTRIC STRENGTH: 1,000 V RMS@sea level.

OPERATING TEMPERATURE: -30°C to 85°C.

GENERAL SPECIFICATIONS

TORQUE: 0.8Nm max. applied to unt.

PANEL THICKNESS: 6mm max. ,2mm min.

MATERIALS

CASE & BUSHING: Glass filled nylon 6/6, flame retardant, heat stabilized (UL94v-0).

ACTUATOR: Brass, chrome plated with internal, O-ring seal standard.

SWITCH SUPPORT: Brass or steel, tin plated.

CONTACT / TERMINALS: Copper alloy, gold plated.

SEALIND: IP67.

IP 67
ACCORDING TO
EN 60529 IEC 60335-1
IEC 60529:2001

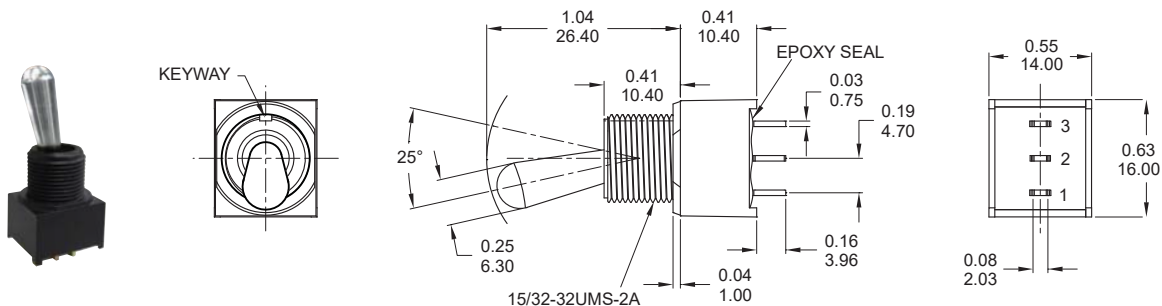


SWITCH FUNCTION

NO. POLES	MODEL NO.	SWITCH FUNCTION			CONNECTED TERMINALS / SCHEMATIC		
		POS.1	POS.2	POS.3	POS.1	POS.2	POS.3
SP	BTAS1	ON	NONE	ON	2-3	N/A	2-1
	BTAS2	ON	NONE	MOM			
	BTAS3	ON	OFF	ON			
	BTAS4	MOM	OFF	MOM			
	BTAS5	ON	OFF	MOM			
	BTAS9	ON	NONE	OFF	2-3	N/A	OPEN
	BTASD	MOM	NONE	OFF			

MOM=MOMENTARY

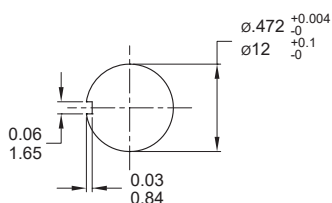
M1



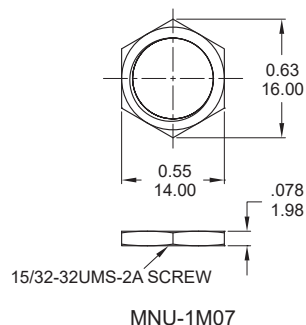
Part No. Shown : BTAS1T8B22M1RPES

PANEL MOUNTING / HARDWARE

PANEL MOUNTING



NUT



SEALING BOOTS

