

#### SPECIFICATIONS

**CONTACT RATING:** Max 0.4 VA max @ 48 VAC or DC

**MECHANICAL LIFE:** minimum 40,000 operations.

**CONTACT RESISTANCE:** 50 mΩ max.

**INSULATION RESISTANCE:** 500 MΩ at 250 VDC.

**DIELECTRIC STRENGTH:** 500V, 50 Hz for the duration of 1 minute.

**OPERATING TEMPERATURE:** -20°C to 80°C.

**DEGREE OF PROTECTION:** IP67

#### MATERIALS

**ACTUATOR:** PBT, yellow std.

**HOUSING/SWITCH SUPPORT:** Brass, Ni plated.

**CASE:** Glass filled nylon 6/6, flame retardant, heat stabilized (UL94v-0)

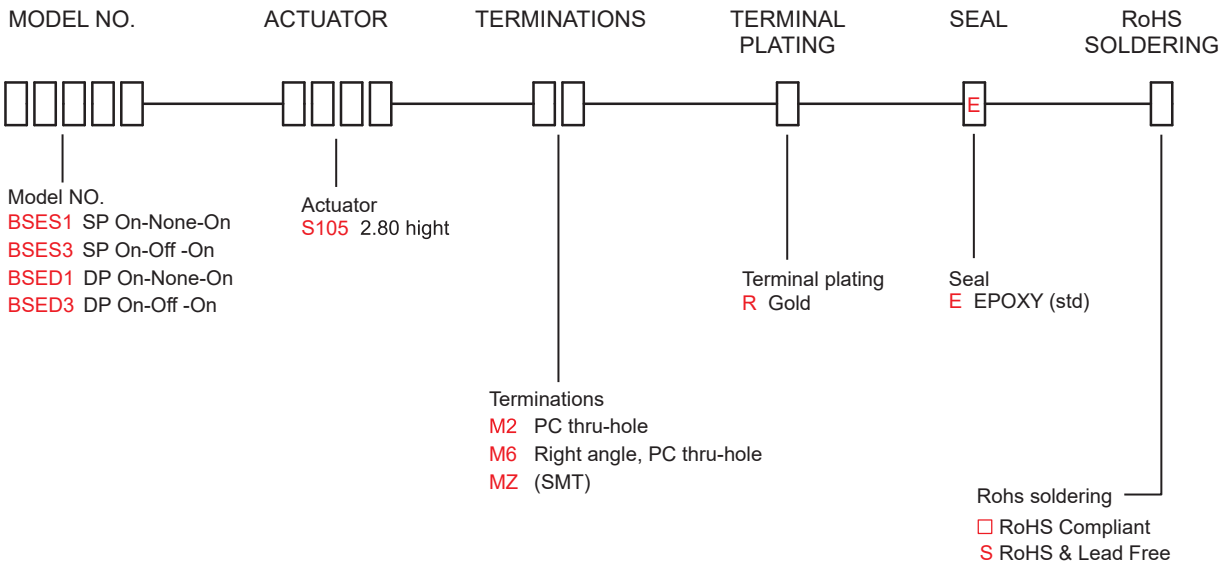
**CONTACT:** Phosphor bronze gold - plated over nickel barrier.

**TERMINALS:** Brass, gold plated.

**TERMINAL SEAL:** Epoxy



#### HOW TO ORDER



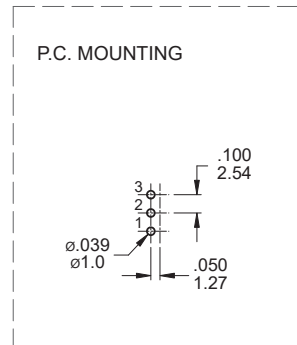
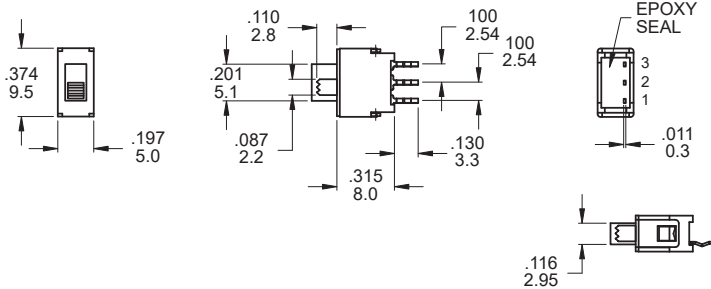
### SWITCH FUNCTION

NO. POLES	MODEL NO.	SWITCH FUNCTION			CONNECTED TERMINALS / SCHEMATIC		
		POS.1	POS.2	POS.3	POS.1	POS.2	POS.3
SP	BSES1	ON	NONE	ON	2-1	N/A	2-3 (COMM)
	BSES3	ON	OFF	ON	1-2 (COMM) 3	OPEN	1-3 (COMM)
DP	BSED1	ON	NONE	ON	2-1,5-4	N/A	2-3,5-6
	BSED3	ON	OFF	ON	1-2 (COMM) 3 4-5 (COMM) 6	OPEN	1-3 (COMM) 4-6 (COMM)

MOM=MOMENTARY

### POLE OPTIONS

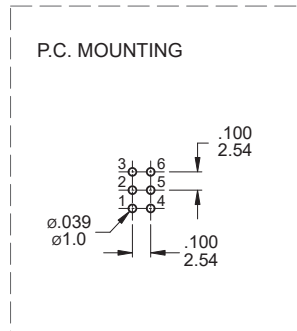
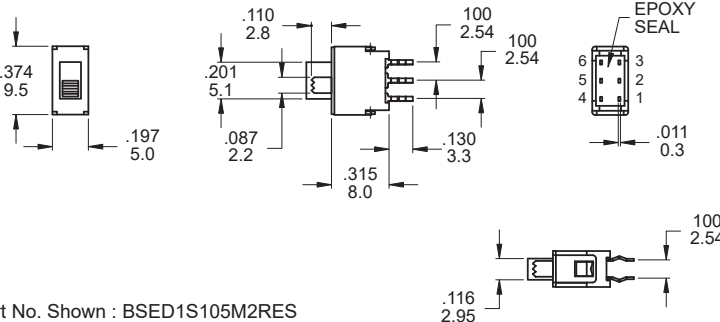
#### M2



#### SPDT

Part No. Shown : BSES1S105M2RES

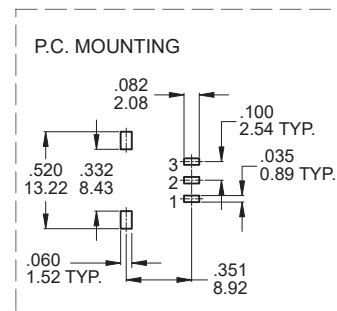
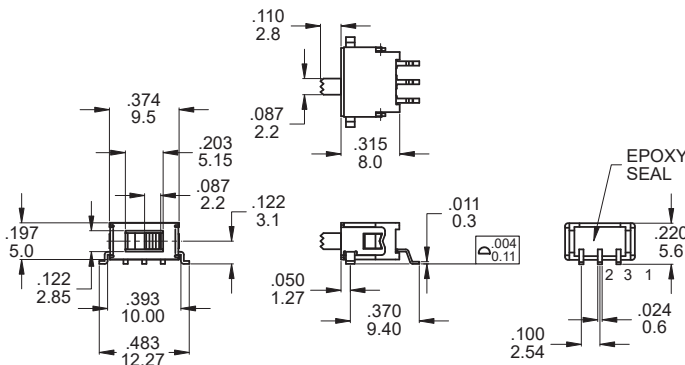
#### M2



#### DPDT

Part No. Shown : BSED1S105M2RES

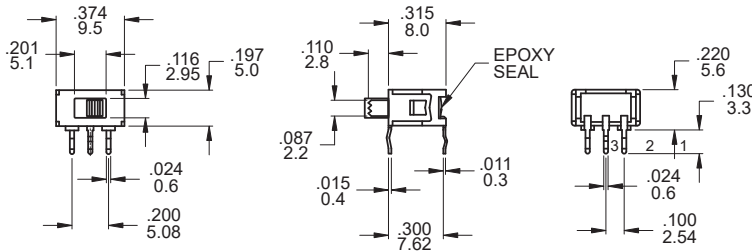
#### MZ



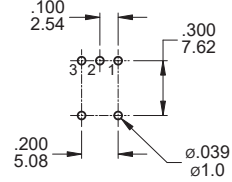
#### SPDT

Part No. Shown : BSES1S105MZRES-A

#### M6



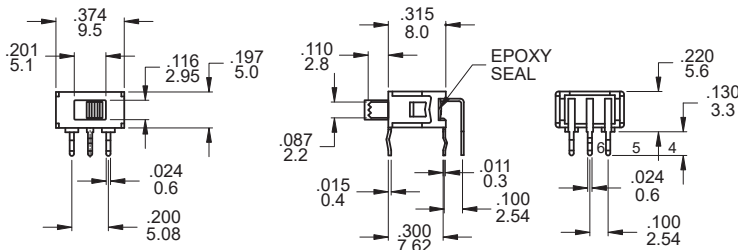
#### P.C. MOUNTING



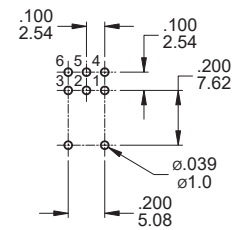
#### SPDT

Part No. Shown : BSES1S105M6RES

#### M6



#### P.C. MOUNTING



#### DPDT

Part No. Shown : BSED1S105M6RES

## SOLDERING PROCESSES

WAVE SOLDERING: Recommended Soldering Temperature:  $260 \pm 5^\circ\text{C}$

Duration of Solder Immersion: Max 5 sec. (PCB is 1.6mm in thickness)