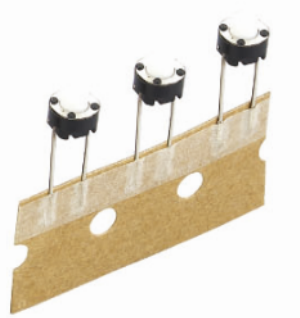


### Product Features

- Multiple options of stems and force
- Radial taping for quick assembly
- Round terminals
- RoHS Compliant



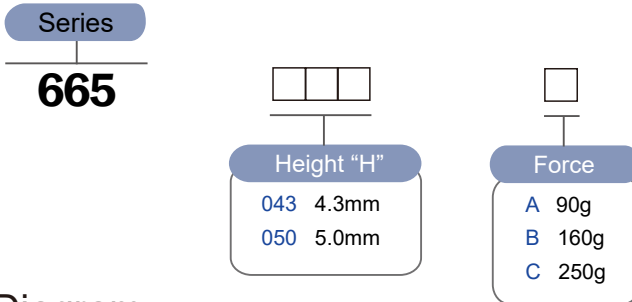
### Materials

Part Name	Base	Cover	Stem	Contact	Terminal
Material	PA66	Steel	PA66	Silver plated Phosphor Bronze	Silver plated Brass

### Specification

Operating Force	90 ~ 250 gram
Actuator Travel	0.25 ± 0.1mm
Operating Temperature Range	-30°C ~ 85°C
Voltage Rating	50mA, 12VDC
Actuation Life Cycle	100,000(100-250g) ; 300,000 (<100g)
Insulation Resistance	100 MΩ min @ 100VDC
Dielectric Strength	250VAC for 1 minute
Contact Resistance	100mΩ max.

### Part Number



### Diagram

