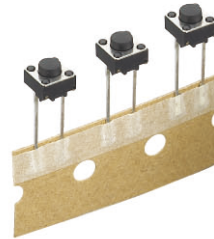


▶ Product Features

- Low-cost design
- Multiple options of stems and force
- Radial taping for quick assembly
- Silent clicking available



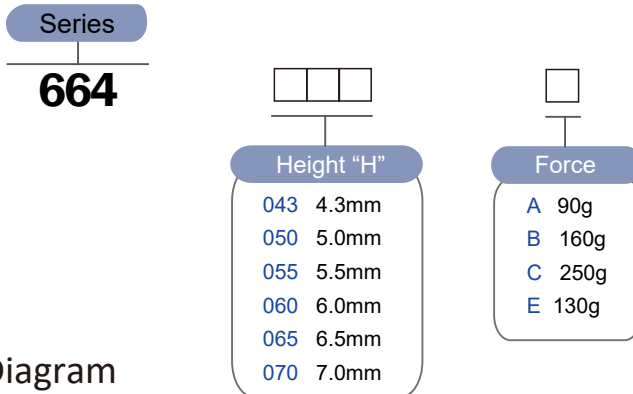
▶ Material

Part Name	Base	Cover	Stem	Contact	Terminal
Material	PA6T	Steel	PA6T	Silver plated Phosphor Bronze	Silver plated Brass

▶ Specification

Operating Force	90 ~ 250 gram
Actuator Travel	0.25 ± 0.01mm
Operating Temperature Range	-30°C ~ 85°C
Voltage Rating	50mA, 12V DC
Actuation Life Cycle	100,000(100-250g) ; 300,000 (<100g)
Insulation Resistance	100 MΩ min. @ 100V DC
Dielectric Strength	250VAC For 1 minute
Contact Resistance	100mΩ max.

▶ Part Number



▶ Diagram

